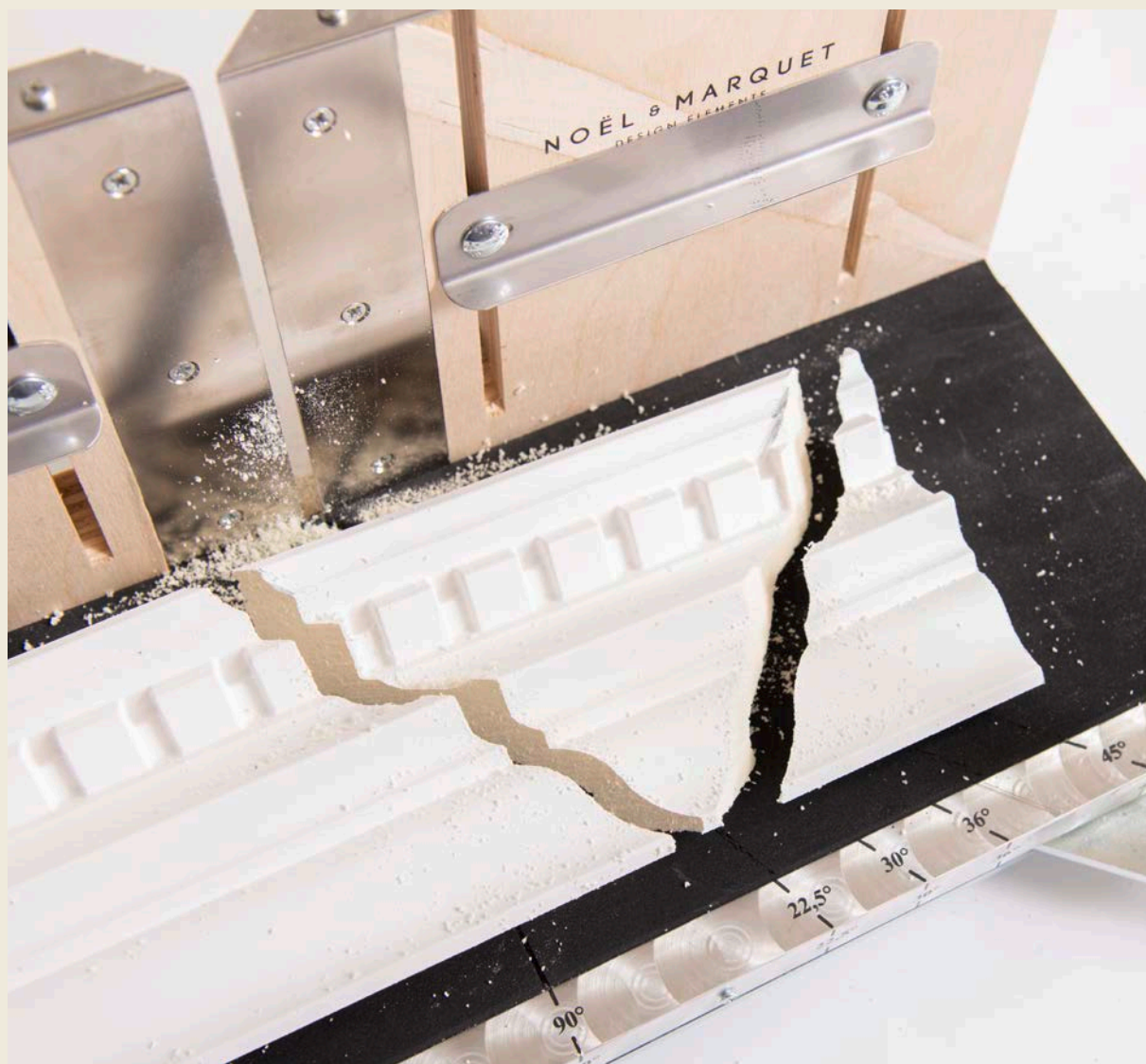




NOËL & MARQUET

DESIGN ELEMENTS



Installation manual

A BRAND OF



Made in Belgium

Even today, over than 70 years after the company was founded, we produce NOËL & MARQUET Design Elements at the Eynatten site in Belgium.



Sustainability

We assume responsibility



As a family-owned company, NMC has always been aware of its responsibility for future generations. And this awareness for energy efficiency, sustainability and climate protection has meant that every step in the development, production and sale of NOËL & MARQUET design elements is checked and optimised:

- Energy from our own photovoltaic system and 100% green energy.
- Our own recycling facility ensures nearly 100% recycling of waste.
- Closed water circuits minimize consumption.
- ISO 14001 certification – the international standard for environmental management systems.
- BREEAM product declaration for all NOËL & MARQUET products (ARSTYL®, WALLSTYL®, NOMASTYL®).
- Our NOËL & MARQUET skirtingboards have been awarded with the German quality label “Blauer Engel” as low emission and safe to health products.



www.blauer-engeLde/uz120



Index

Info

PRODUCT OVERVIEW	7
GLUE	11
GLUE CONSUMPTION	13
TOOLS	15
FINISH	19
INSPECTIONS INSTRUCTIONS	21

1 · Cornices

CORNICES GENERAL	
PREPARATION, CUTTING, INSTALLATION	1/2
CORNICES Z40 · Z41 · Z42 ARSTYL®	
CUTTING, REGULAR CORNERS, IRREGULAR CORNERS	1/6
CORNICE Z7 ARSTYL®	
FIX THE VARIO EXTENSION, INSTALLATION	1/7
SPECIAL CASES	
CORNICES IN A STAIRWEL	1/10
STEPPED WALL	1/11
EXPANSION JOINTS AND ANTI-VIBRATION ISOLATION JOINTS	1/12
HOLLOW JOINT	1/12
STOPPING A MOULDING	1/13

2 · Chair rails

CHAIR RAILS GENERAL	
PREPARATION, CUTTING, INSTALLATION	2/2
CURVES FOR CHAIR RAILS	
PREPARATION, CUTTING, INSTALLATION	2/5
SPECIAL CASE	
STOPPING A CHAIR RAIL	2/7

3 · Skirtings

SKIRTINGS GENERAL	
PREPARATION, CUTTING, INSTALLATION	3/2
SPECIAL CASES	
STOPPING A SKIRTING	3/5

4 · Flexible profiles

ARSTYL® FLEX · WALLSTYL® FLEX	
RADIUS	4/2

5 · Lighting profiles

INDIRECT LIGHTING - CORNICES	
PREPARATION, CUTTING, INSTALLATION	5/2
CORNICES NOMASTYL® OR WALLSTYL® FOR INDIRECT LIGHTING	5/6
WT4 WALLSTYL(r) - COMPLEMENT	5/7
INDIRECT LICHTING SKIRTINGS	
PREPARATION, CUTTING, INSTALLATION	5/8
LIGHTING PROFILES - FAQ	5/13

6 · Design Elements

CEILING ROSES S ARSTYL® PREPARATION, INSTALLATION	6/2
R61 IN COMBINATION WITH Z61 PREPARATION, CUTTING, INSTALLATION	6/3
PILASTERS ARSTYL® PREPARATION, CUTTING, INSTALLATION	6/5
WALL PANELS ARSTYL® WALL PANELS PREPARATION, INSTALLATION	6/8
WALL TILES ARSTYL® WALL TILES VARIED AND CREATIVE WALL INSTALLATION OPTIONS	6/12
PREPARATION, INSTALLATION	6/12
SPECIAL CASES INSTALLATION ON A COMPLETE WALL	6/14

7 · Facade Decoration

WINDOW SILL PROFILE PREPARATION, ANGLED SECTION	7/2
ANGLED WINDOW SILL PROFILE	7/4
FRAME PROFILES	7/5
STRING COURSE	7/7
CUT IN THE PROFILE (DOWNPIPE)	7/7
KEY STONE	7/7
AREA OF THE ROOF OVERHANG AND PASSAGE	7/9
GABLE	7/10
STONES	7/11
CEILING ROSES	7/12
REPAIR OF DAMAGED PROFILES	7/13

This technical brochure has been prepared in accordance with the current state of our knowledge. We reserve the right to make modifications without prior notice. Without a written agreement to the contrary, our studies, descriptions, notices, advice or other technical documents concerning the functionality, behaviour or performance of goods are supplied as an indication only according to the common use of the goods under normal conditions of application, use and climate (moderate European regions), or those indicated to us by customers in writing. Save for the existence of fraud or gross negligence on our part, these studies, recommendations and other technical documents do not engage our liability. It is the customer's responsibility to check that they are suitable for the intended use.



NOËL & MARQUET
DESIGN ELEMENTS

INFO



Product overview

Installation manual

09-2022

Foamed



ARSTYL®

Wall elements, cornices, chair rails and ceiling roses in polyurethane foam (PU) with matt white acrylic primer. Cornices, chair rails and skirtings in flexible polyurethane foam (PU) with matt white acrylic primer.

ARSTYL® profiles are opaque. Flexible profiles are compatible with standard profiles.

Intended for indoor use.

Exceptions: ARSTYL® ceiling centers and pilasters can also be used outdoors if pre-treated.



DOMOSTYL®

Profiles in high-density polyurethane foam (PU) with a reinforcing sheet covered with acrylic primer containing grain silica.

The surface is not mineral and not absorbent.

DOMOSTYL® profiles are specially designed for facade decoration.

	DETAIL / 3D	SHOCK RESISTANCE	MATERIAL
ARSTYL®	++++	+++	Polyurethan (PU)
DOMOSTYL®	++++	+++	Polyurethan (PU)

Extruded



WALLSTYL®

Cornices, chair rails, skirtings in extruded polystyrene (HDPS) with matt white acrylic primer.

Skirtings in flexible polyurethane foam (PU) with matt white acrylic primer.

WALLSTYL® are translucent (except IL3, IL4, IL10, IL11, IL12).

All products are waterproof.

Intended for indoor use.



NOMASTYL®

Cornices in extruded polystyrene (XPS) with matt white acrylic primer.

Exceptions: NE1, NE2, NE3, NE4, T4, ST2, BW1, ST3, GL, GR, SL, and ST4 cornices are not primed. Corners O16 are in polyurethane (PU) with matt white acrylic primer.

NOMASTYL® cornices are translucent.

Intended for indoor use.

	DETAIL / 3D	SHOCK RESISTANCE	MATERIAL
WALLSTYL®	++	++++	Polystyrene High Density (HDPS)
NOMASTYL®	++	+	Polystyrol (PS)



NOËL & MARQUET
DESIGN ELEMENTS

INFO



Glue

Installation manual

09-2022

Glue



ADEFIX®

Adhesive, coating and jointing material (3mm) for polystyrene and polyurethane products.

- Package: 310 ml cartridge.
- White
- Solvent-free.
- Can be sanded.
- Can be painted.
- Working time: ca. 5 - 10 min.
- Drying time: Approx. 6 - 8 hours.
- Application temperature: +10°C to +30°C (Ideal: +15°C to +25°C).
- Intended for indoor use.
- Cleaning (before drying): water. After drying : mechanically.
- Important remark: Protect from frost.



ADEFIX® PLUS

For the preparation of joints (3mm) for larger WALLSTYL® and ARSTYL® products from 8 cm height/projection, gluing WALLSTYL® and ARSTYL® profiles on non-absorbent surfaces, flexible profiles, skirtings in damp room, mounting on one-side (indirect lighting) Cover Skirtings and Wall Panels/Wall Tiles.

- Package: 290 ml/cartridge.
- Can not be painted.
- White
- No volume increase.
- Working time: ca. 4 min.
- Drying time: Approx. 40 min.
- Application temperature: +10°C to +30°C (Ideal: +15°C to +25°C).
- Intended for indoor use.
- Cleaning (before drying): turpentine. After drying : mechanically.



DOMOSTYL® HYBRID

MS polymer based permanently elastic neutral mastic adhesive for outdoor use for DOMOSTYL® products.

- Package: 290 ml/cartridge.
- White
- Can be painted.
- Working time: ca. 4 min.
- Drying time: ca. 2 mm/24h.
- Application temperature: +10°C to +30°C (Ideal: +15°C to +25°C).
- Cleaning (before drying): water. After drying : mechanically.

Glue consumption



GLUE CONSUMPTION PER APPLICATION

	GLUE		COVING EDGES AND JOINTS Remark: joints width 3 mm		FILLER
	ADEFIX®	ADEFIX® PLUS	ADEFIX®	ADEFIX® PLUS	ADEFIX®
INTERIOR DECORATION					
NOMASTYL®	•		•		•
Cornices ARSTYL®, WALLSTYL® < 80 mm	•		•		•
Cornices ARSTYL®, WALLSTYL® ≥ 80 mm	•			•	•
LIGHTING		•		•	•
Chair Rails < 80 mm	•		•		•
Chair Rails ≥ 80 mm	•			•	•
Skirtings < 80 mm	•		•		•
Skirtings ≥ 80 mm	•			•	•
Cover Skirtings		•		•	•
FLEX		•		•	•
Ceiling Roses	•		•		•
Wall Tiles - Wall Panels		•	Butt joint areas must be not glued or grouted.		Filling, only to ceiling or wall.

REMARKS: Non-absorbent surfaces, skirting in damp room, gluing with ADEFIX® PLUS. LIQUID, Wave with tile crosses (min. joint width 1-2).

	GLUE		COVING EDGES AND JOINTS		FILLER
	DOMOSTYL® HYBRID	DOMOSTYL® HYBRID	DOMOSTYL® HYBRID	DOMOSTYL® HYBRID	DOMOSTYL® HYBRID
FACADE DECORATION					
DOMOSTYL®	•		•		•

Always observe instruction manual and data sheet.

GLUE CONSUMPTION PER CARTRIDGE

CORNICES	< 80 mm	6 - 8 m
	80 - 130 mm	4 - 5 m
	> 130 mm	2 - 3 m
CHAIR RAILS	< 80 mm	6 - 8 m
	80 - 100 mm	4 - 5 m
	> 100 mm	2 - 3 m
SKIRTINGS	< 80 mm	6 - 8 m
	80 - 150 mm	4 - 5 m
	> 150 mm	2 - 3 m
CEILING ROSES	Ø < 100 mm	14 - 18 pcs.
	Ø 100 - 250 mm	8 - 10 pcs.
	Ø 251 - 530 mm	4 - 7 pcs.
	Ø > 530 mm	2 - 3 pcs.
WALL PANELS	Height > 300 mm	4 St.
	PYRAMID	8 St.
WALL TILES	CORAL / RAY / PUZZLE	6 St.
	WING	10 St.
CURVES	Z101 / Z102 / Z103 / Z104 / O16	10 - 12 pcs.
	SP2-5 / SP3-4	17 - 20 pcs.
FACADE PROFILES	< 75 mm	4 - 5 m
	≥ 75 mm	1,5 - 3 m
STONES	BA10 / BA11 / SA1	7 - 9 pcs.

Number of coving edges and joints per cartridge: 65



NOËL & MARQUET
DESIGN ELEMENTS



Tools

Installation manual

09-2022

Tools



TOOL BOX VARIO

- Plastic finish carrying case.
- Content: mitre box, 2 saws (PS saw and HDPS/PU 50 cm saw), steel rule, mobile bracket, cartridge gun, cord, cutter, folding ruler, set of 'Japanese' spatulas, grouting tool, pencil.



MITRE BOX VARIO

- Plywood mitre box.
(B: 47 cm, H: 18 cm, T: 18 cm)
- For mitre cuts from 45° to 0 or 90°.
- Graduations at 90°, 45°, 36°, 30° and 22.5°.
- Screw metal brackets to be set according to the height of the moulding.
- Content: Mitre box, steel rule, PS saw, HDPS/PU 50cm saw, folding ruler.



EXTENSION WALL FOR VARIO

- Plywood (B: 23 cm, H: 36 cm, T: 1 cm).
- 2 stop plates.
- Bearing edges protected by metal plates.
- 4 bolt with nuts.
- Used only for cutting the Z7 ARSTYL®.



MITRE BOX AD (FOR CORNICES, CHAIR RAILS AND SKIRTINGS IN PU AND HDPS)

- Plywood (inside dimensions: l: 40 cm, h: 28 (18) cm, w: 25,5 cm).
- For straight cuts as well as at 45° and 22.5°.
- Adjustable attachment for optimal insertion of mouldings.
- Suitable saw: HDPS/PU 55 cm long (not included).



HDPS/PU SAWS

- 50 cm and 55 cm saws for PU (ARSTYL®, DOMOSTYL®) and HDPS (WALLSTYL®) products.
- The 55 cm saw can be used with the mitre box VARIO and AD.
- The 50 cm saw can only be used with the mitre box VARIO.
- Specially sharpened saw teeth.
- Tooth height 5 mm, 8 teeth per inch (3.5 per cm).
- Ergonomic hand-grip.



PS SAW

- For cutting polystyrene (NOMASTYL®) products to size.
- Total length 59 cm.
- Saw blade length 48 cm, saw blade width 10 cm.
- Sheet thickness 0.18 mm.
- 7 fine teeth per row (row 1 cm),
- Distance between the rows of teeth: 4 mm.
- Ergonomic hand-grip.
- Can only be used with the mitre box VARIO. Cannot be used with the mitre box AD.



PS SAW

- For cutting polystyrene (NOMASTYL®) products to size.
- Total length 59 cm.
- Saw blade length 48 cm, saw blade width 10 cm.
- Sheet thickness 0.18 mm.
- 7 fine teeth per row (row 1 cm).
- Distance between the rows of teeth: 4 mm.
- Ergonomic hand grip.
- Can only be used with the mitre box VARIO. Cannot be used with the mitre box AD.

**Please saw HDPS profiles very quickly!
(heat development)**



PROTRACTOR

- Plastic, 18 cm long.
- For internal and external angles.



SPATULA

- With wood handle and solid spatula attachment.
(total length: 19.5 cm)
- Flexible and tapered spatula with rounded blade .
(length: 4.5 cm)
- For precise coating of tabs and joints.



NOËL & MARQUET
DESIGN ELEMENTS

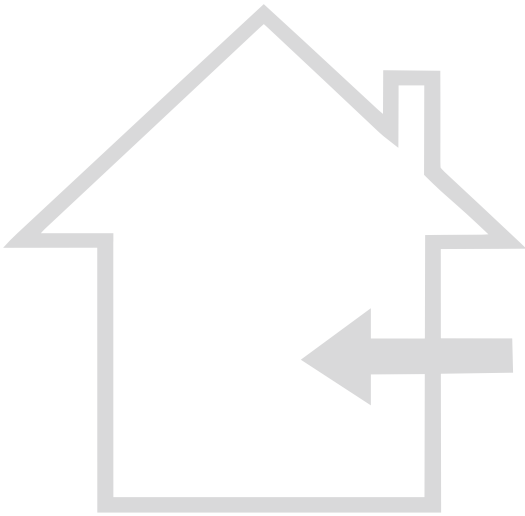
INFO



Finish

Installation manual

09-2022

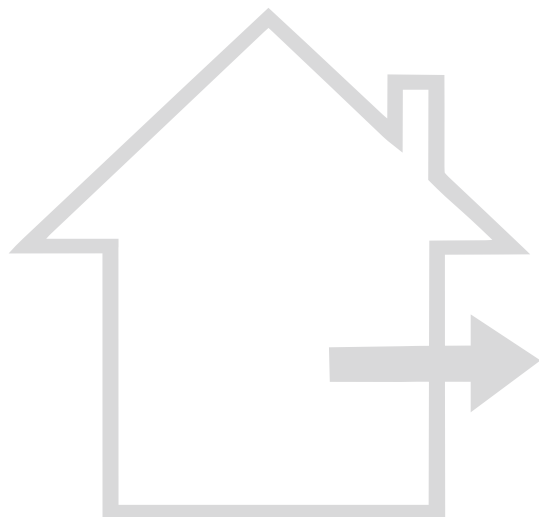


INDOOR

All profiles intended for interior use must be painted within 4 weeks of installation (except WALLSTYL® FINISHED). The final coat must consist of a primer and, after drying, a top coat. The coating materials must be applied thinned. Profiles can be painted with solventfree paints (e.g.: dispersion paints, acrylic lacquers, etc.). In the case of solvent-containing paints, ensure that they are diluted with a turpentine substitute if necessary. Observe paint manufacturer specifications. **A test coat is recommended.**

We recommend painting wall panels and wall tiles before installation. We recommend to paint the edges of all wall panels before installation.

If ARSTYL® rosettes are to be installed outdoors, they must be primed on the reverse side with a solvent-containing primer. **The coating must be applied with pure acrylate-based façade paints. Lime paints, silicate paints, silicone resin emulsion paints and their mixtures must not be used. Spray paint only after prior testing.**



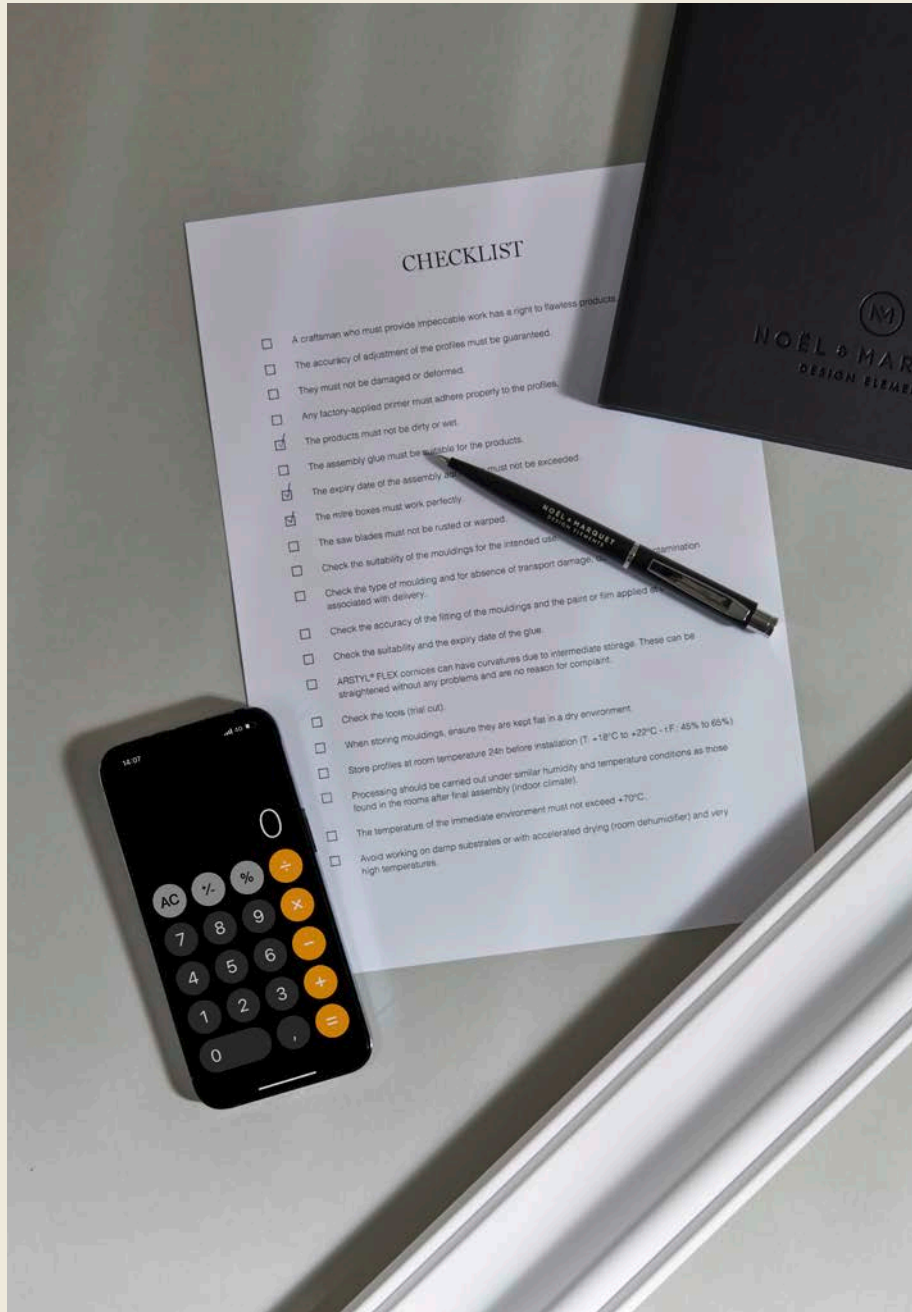
OUTDOOR

All facade profiles must be painted within 4 weeks of installation with facade paints based on pure acrylic resins.

The brightness index of the facade paint should not be less than 45. Lime paints, silicate paints, silicone resin emulsion paints and their mixtures must not be used. Pre-painting test is recommended. Observe the paint manufacturer's instructions.



The optical effect of the connection and mitre joints can be minimised by using plaster or coated facade paint. It is essential to ensure that the coating materials are purely acrylic-based.



Inspection instructions

Installation manual

09-2022

Inspection instructions

INSTRUCTIONS FOR CHECKING NOËL & MARQUET PRODUCTS BEFORE THEIR IMPLEMENTATION

NOËL & MARQUET products are manufactured using state-of-the-art industrial processes and undergo continuous quality checks.

REQUIREMENTS OF THE CRAFTSMAN IN CHARGE OF IMPLEMENTATION

- A craftsman who must provide impeccable work has a right to flawless products.
- The accuracy of adjustment of the profiles must be guaranteed.
- They must not be damaged or deformed.
- Any factory-applied primer must adhere properly to the profiles.
- The products must not be dirty or wet.
- The assembly glue must be suitable for the products.
- The expiry date of the assembly adhesives must not be exceeded.
- The mitre boxes must work perfectly.
- The saw blades must not be rusted or warped.

CHECKS BY THE CRAFTSMAN

Before using the profiles, glues and tools, the installer must carry out the following check:

- Check the suitability of the mouldings for the intended use.
- Check the type of moulding and for absence of transport damage, damage or contamination associated with delivery.
- Check the accuracy of the fitting of the mouldings and the paint or film applied at the factory.
- Check the suitability and the expiry date of the glue.
- ARSTYL® Flex cornices can have curvatures due to intermediate storage. These can be straightened without any problems and are no reason for complaint.
- Check the tools (trial cut).
- When storing mouldings, ensure they are kept flat in a dry environment.
- Store profiles at room temperature 24h before installation (T: +18°C to +22°C - r.F.: 45% to 65%).
- Processing should be carried out under similar humidity and temperature conditions as those found in the rooms after final assembly (indoor climate).
- The temperature of the immediate environment must not exceed +70°C.
- Avoid working on damp substrates or with accelerated drying (room dehumidifier) and very high temperatures.

CLAIMS PROCEDURE

- If defects are found, the manufacturer must be notified immediately.
- The products affected must be returned.
- Products that are not defect-free must not be used.
- **NMC will not bear the cost of repairing products that have not been properly implemented.**
- Tools that do not work must not be used.



Physical properties of the products and the laying surfaces cause different natural expansion coefficients, and induce that the joint and the glue move so that the joint can be seen. This fact does not constitute grounds for complaint.



TREATMENT OF THE SUPPORT

The project manager carries out the services under his own responsibility, according to the terms of the contract. To this end, he must comply with the rules of art as well as the legal and regulatory provisions.

The client must also check whether the substrate is suitable for the execution of the contractual services: indoors, the profiles are installed, if possible, before the final covering or lining of the walls and ceilings, outdoors, if possible, before the final covering on the facade.

The ambient temperature must not exceed +70°C.

The mouldings must be stored in a dry environment. Store the profiles at room temperature 24 hours before the laying (T: +18°C to +22°C - r.F.: 45% to 65%).

LAYING SURFACE FOR USE OF INDOOR PROFILES

- Dry, free from dust, degreased and flat.
- If there is existing wallpaper, check its adhesion.
- Apply a primer on highly absorbent substrates.
- Apply a primer on wood.
- Apply a primer on metal.
- Clean tiling.
- Sand down varnished surfaces.
- On non-absorbent surfaces, use ADEFIX® PLUS glue.

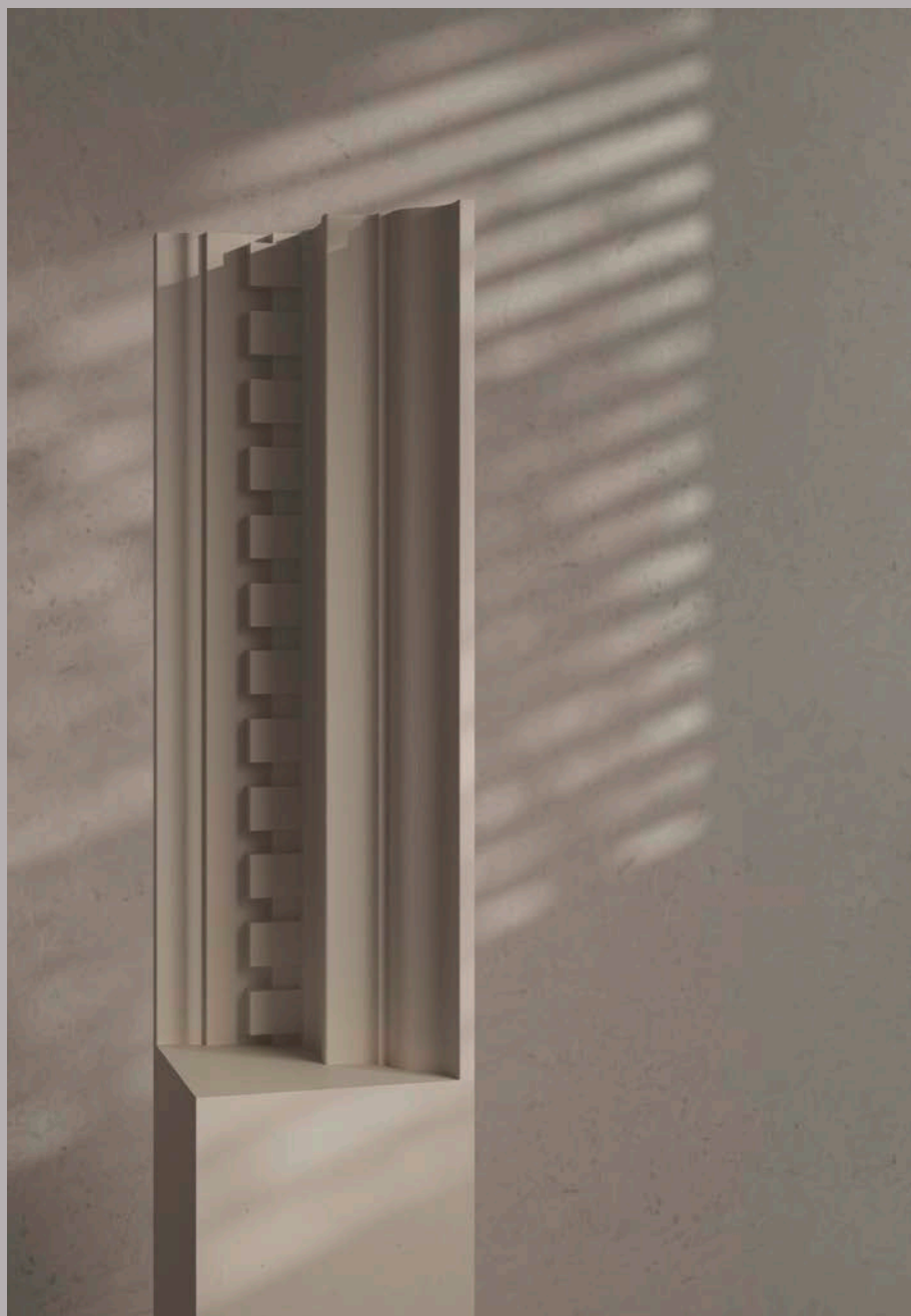
LAYING SURFACE FOR USE OF OUTDOOR PROFILES

- Dry, free from dust, degreased and flat.
- Remove old coats in the area of the adhesive strands.
- Flatten and wash new plaster and replaster areas (plaster mortar group P2b + P3).
- Plaster of plaster mortar groups P1 and P2a are unsuitable as a substrate.
- Remove any residue of glue, bitumen or silicone.
- Clean clinker bricks.
- **In the case of newly manufactured ETICS systems, allow the filled reinforcement to harden and do not prime.**
- Clean synthetic resin plaster.
- Prime wood.
- Prime metal.
- Clean and roughen plastic. PP, PTFE, silicone and bitumen are unsuitable as substrates.



NOËL & MARQUET
DESIGN ELEMENTS

1

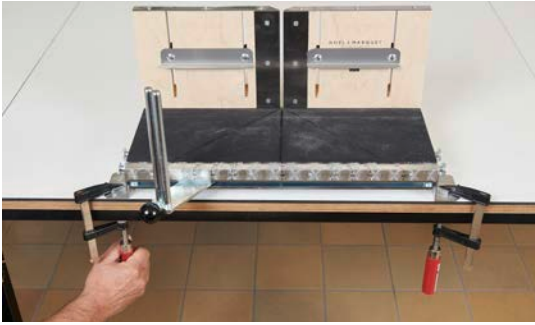


Cornices

Installation manual

09-2022

Cornices general



PREPARATION

- The VARIO mitre box can be fixed to the worktop or the staging with the existing aluminium brackets using two clamps (not included).



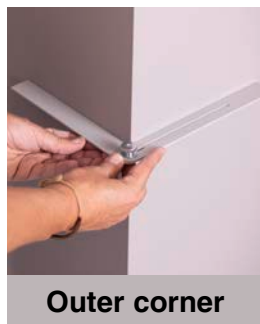
- Adjust the sliders of the mitre box to the height of the moulding or the side (distance between the bottom edge of the moulding and the ceiling).



- Determine the height of the moulding on the wall and the angle. Mark the height of the moulding on the wall using a chalk line or a laser level.



Inner corner



Outer corner

- Measure the angle of the corner of the wall using the adjustable set-square.



- Place the adjustable set-square flat in the bottom of the mitre box, one side resting against the vertical part of the mitre box.
- Measure the distance between the two ends of the set-square.
- Divide this value by 2 and set the saw guide to the value obtained. Ensure that the saw passes through the middle of the adjustment screws, correcting the position as necessary.

The procedure applies to both corners inside and outside angles (mitre).



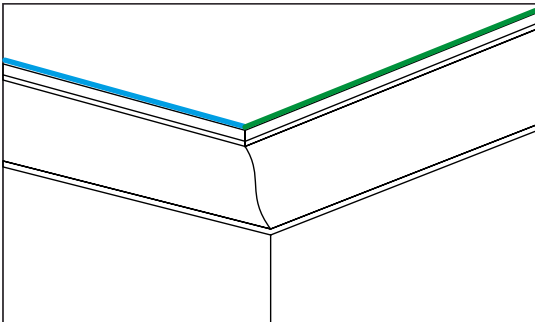
CUTTING

- Place the moulding on the wall and mark the cut line on the moulding.
Place the moulding in the mitre box: the bottom of this represents the ceiling, the vertical portion with the slider corresponds to the wall. The lower part of the moulding is pushed under the sliders. Exception: if, when changing direction, part of the moulding moves away from the ceiling (e.g. in a stairwell), refer to „Mouldings in a stairwell“.

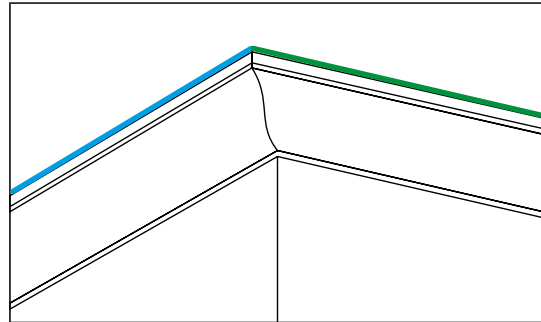


- Mitre cut the moulding using the appropriate saw:
NOMASTYL®: PS saw
ARSTYL®: HDPS/PU saw
WALLSTYL®: HDPS/PU saw

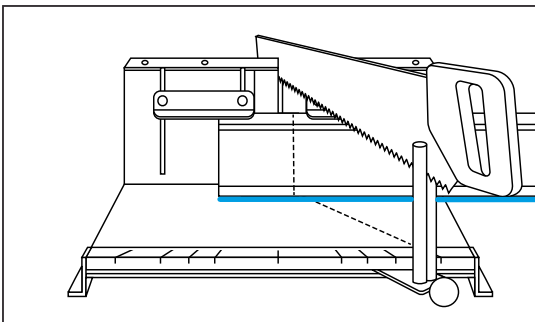
INNER CORNER



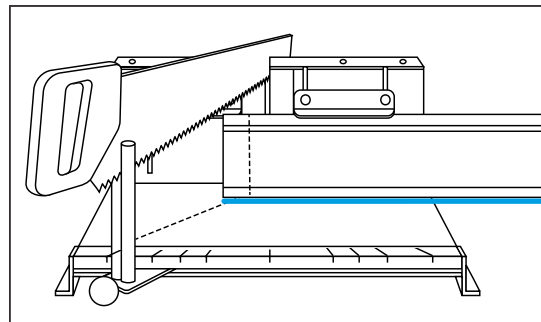
OUTER CORNER



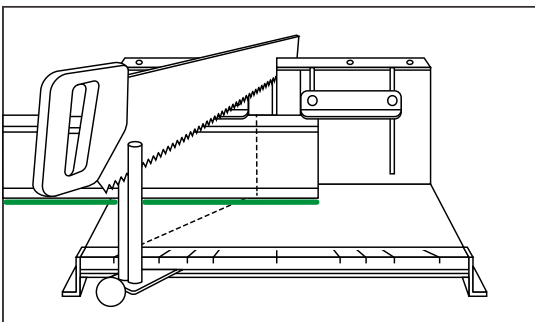
INNER CORNER LEFT



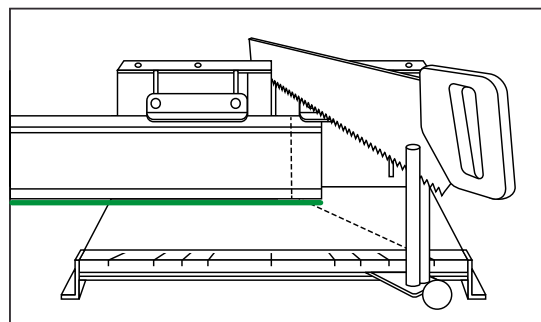
OUTER CORNER LEFT

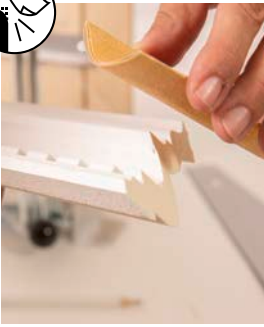


INNER CORNER RIGHT



OUTER CORNER RIGHT





- Lightly sand the cut edges and the edges of the moulding with fine sandpaper (150 grit or less) or cutter and remove the sawdust with a damp sponge.



INSTALLATION

- Using a cartridge gun, generously apply the ADEFIX® adhesive in a continuous bead on both bonding surfaces (see GLUE CONSUMPTION).



- Immediately install the mouldings by pressing lightly (avoid finger pressure).
- Install the mouldings so that the mitres and joints are flat and without offset (step).



- WALLSTYL® and ARSTYL® mouldings with a height / span smaller than 8 cm and NOMASTYL® profiles: apply ADEFIX® adhesive to the cuts and corner mitres so that it forms a 3 mm joint.
- WALLSTYL® and ARSTYL® mouldings with a height / span more than 8 cm: apply ADEFIX® PLUS adhesive to the cuts and corner mitres so that it forms a 3 mm joint. The adhesive should not make a bead when the mouldings are pressed against one another. If necessary, the ADEFIX® PLUS adhesive can be removed cleanly with white spirit.



- Finish the adhesive joint with ADEFIX® adhesive.



- Remove excess glue, use a damp sponge if necessary.



- Smooth the joint with the NOËL & MARQUET painter's spatula.



- Leave to dry (min. 6h), then lightly sand the joints with emery paper (150 grit or finer). Make sure that the primer or film is not sanded down!



- Finish the ceiling and wall joints as well as the mitre joints with ADEFIX® adhesive.





- Leave to dry (min. 6h). Apply the paint finish within 4 weeks (see FINISH).

Cornices Z40 • Z41 • Z42 ARSTYL®



CUTTING

- The range consists of three types of moulding.
 - Z40 is a straight moulding (no ornamentation).
 - Z41 includes ornamentation at its centre.
 - Z42 is a moulding with two corner ornamentations.



- If cutting using the VARIO mitre box, the sliders must be unscrewed then re-attached with their underside facing up. This allows the height of the moulding to be adjusted.



- The Z42 moulding must be cut in the centre at right angles.



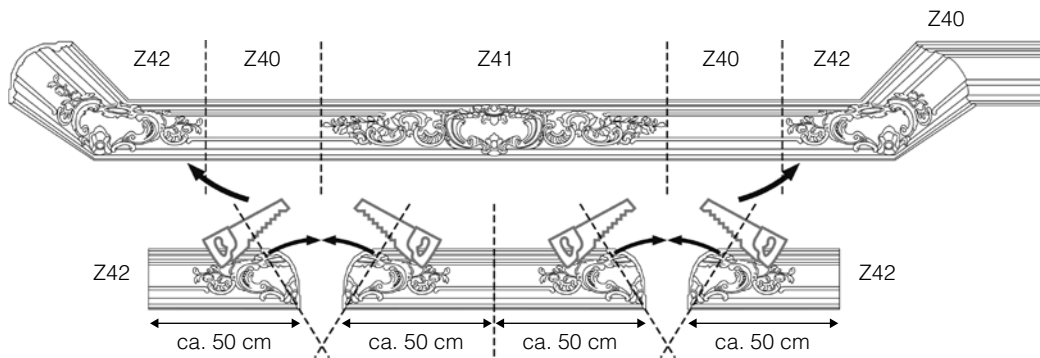
REGULAR CORNERS

- The ornamentation must then be cut according to the angle required and will each make a section 50 cm long (see the diagram).



In most cases,

- the Z41 moulding is placed in the middle of the wall (according to the length of the wall, the moulding can also be juxtaposed several times)
- the Z42 moulding, when cut to size, is placed in the inside corner; it is not possible to use this for an outside corner,
- the Z40 moulding



If you start with the Z40 moulding, make sure that the arrow on the back of the moulding points towards the ceiling during installation.





IRREGULAR CORNERS

- If you need to decorate a corner of a wall with an angle other than 90° with the Z42 moulding, ensure you cut it to size to give the smallest ornament. It is advisable to inform the customer in advance.



Use ADEFIX® PLUS adhesive during installation and make sure to take into account the 3 mm adhesive joint.

For the rest of the operations, follow the method applicable to the cornices.

Cornice Z7 ARSTYL®



FIX THE VARIO EXTENSION

- Remove the sliders from the vertical part of the mitre box.
- Attach the plates of the VARIO extension to the vertical part of the mitre box using the screws provided.



- Attach the sliders to the plates of the VARIO extension.





INSTALLATION

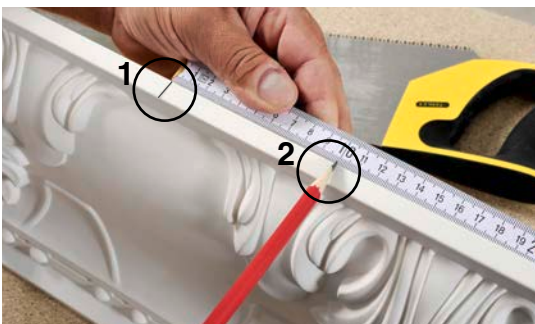
- The ornamentation on the Z7 is an acanthus leaf. The acanthus must be placed with the tip at the top and, as far as possible, must not be cut for the mitre.



- The ornamentation is 33.5 cm. Mark this dimension on the wall.



- Measure the remaining distance between the last pattern and the wall (20 cm in this example) and take half of the result (here 10 cm).



- Starting from the middle of the non-ornamented moulding area (ideal cut) and move the equivalent of the value defined earlier (here 10 cm) outwards to determine the cut point (allow for loss).

1 Ideal cut

2 Cutting point

Perform the procedure on each wall.



- If the ornamentation has started and that this makes this unsightly, it can be removed completely with the cutter. The corresponding places can be smoothed off with ADEFIX® adhesive.

- Then, follow the general positioning instructions for ARSTYL® mouldings.



Special cases



CORNICES IN A STAIRWELL

- When changing the direction of the moulding, for example, with a staircase (joist), cutting the moulding to size is done differently.

In this case, place the moulding in the mitre box so that its surface bonding to the wall rests on the bottom of the mitre box and its adhesive surface against the ceiling backs against the vertical part of the mitre box, under the sliders.



- Seen from the front, the moulding is cut starting from the top front edge to the bottom edge.



- Determine the cutting angle using the set-square.





STEPPED WALL

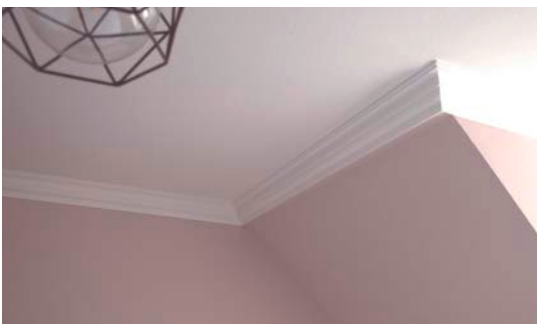
- In this zone, attach the profile only to the ceiling.
- This results in a gap between the bottom edge of the moulding and the step.



- Close the gap with a hollow moulding, for example the B2 NOMASTYL® or NE1 PURE NOMASTYL®. The width of the hollow moulding can be cut to size with a cutter knife.
- If the gap is larger, use for example the NE2 PURE NOMASTYL® hollow moulding.



- Retouch the bottom edge of the moulding with a coating.

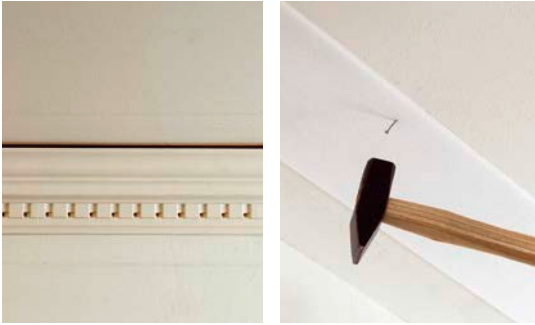


- Extend the wall covering or wallpaper up to the hollow moulding; stop it at the lower edge of the moulding attached to the ceiling.





EXPANSION JOINTS AND ANTI-VIBRATION ISOLATION JOINTS



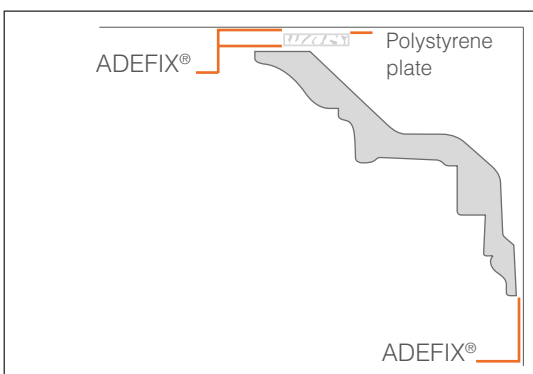
- Glue the moulding on one side only, on the surface (ceiling or wall) that is rigid or does not transmit impact noise.



- The gap between the moulding and the surface of the unbonded side should have a uniform width. For this purpose, it is advisable to position a polystyrene plate about 6 mm thick in the unbonded area (using steel nails or dots of hot glue).



- After the mounting and drying of the adhesive, the plate can be removed.



HOLLOW JOINT

- Proceed in the same way as for the previous point.
- In the case of a hollow joint, the polystyrene plate can also stay in place under the moulding. It is positioned to be hidden by the moulding. As a general rule, an offset of half of the bonding surface of the moulding is enough. This offset allows the moulding to be attached to the polystyrene plate.

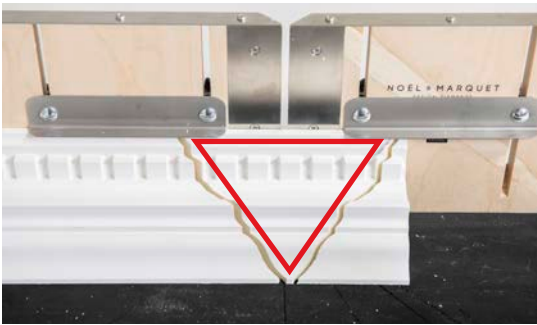


STOPPING A MOULDING

- Place the moulding in the mitre box (lower edge of the moulding under the sliders).
- Make a cut at 45° above the outer edge of the moulding (outer mitre cut).



- Make the counter-cut.



- Sand down and dust off the cut edge, then attach the moulding with adhesive.

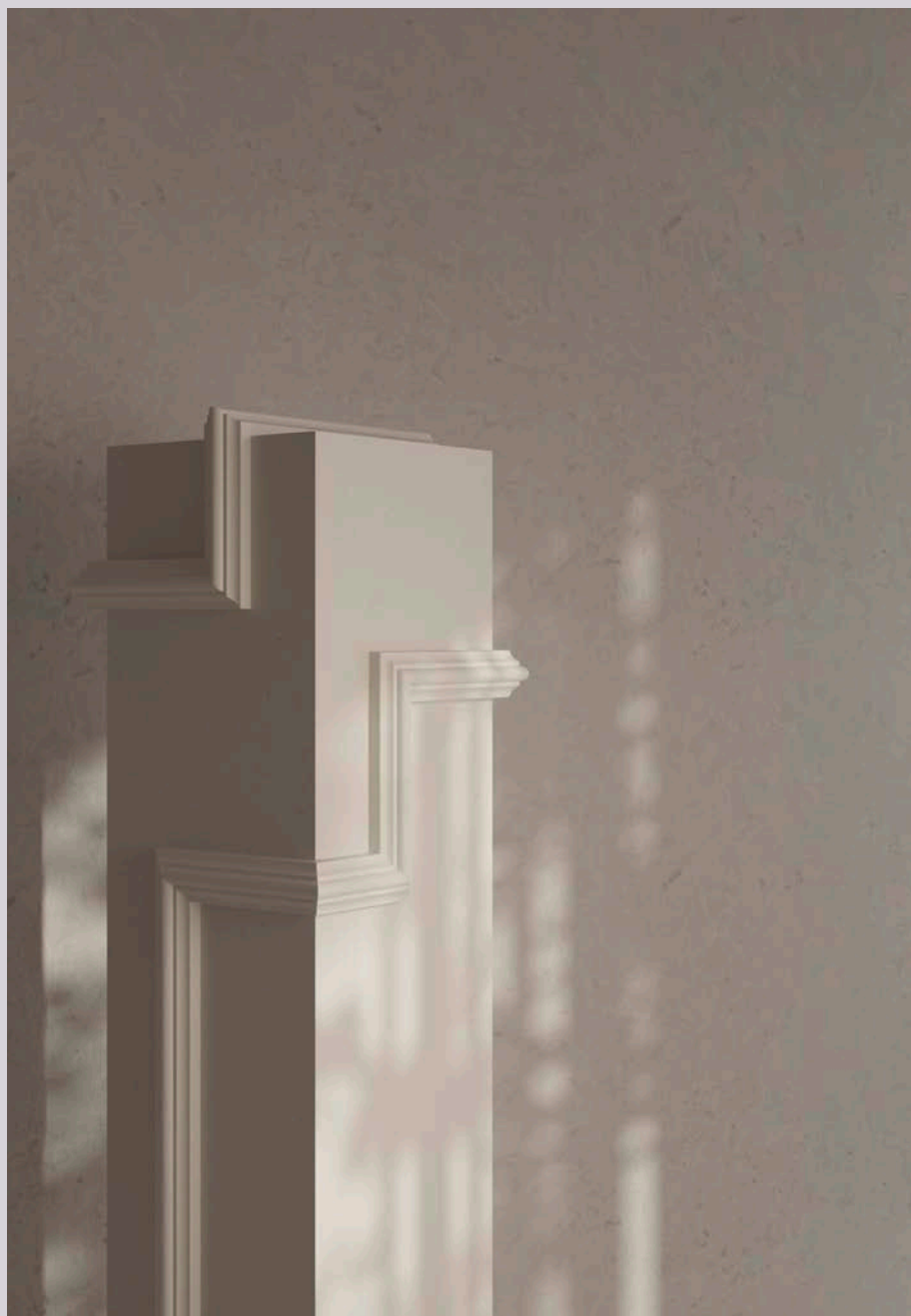


You can also make the elbow using hot glue. This allows the moulding to be positioned after just a few minutes, without the risk of inaccuracies in the outside mitre.



NOËL & MARQUET
DESIGN ELEMENTS

2

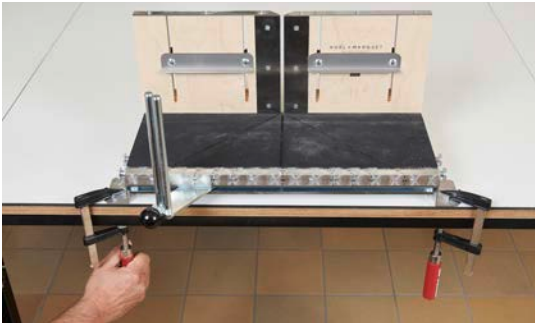


Chair rails

Installation manual

09-2022

Chair rails general



PREPARATION

- The VARIO mitre box can be fixed to the worktop or the staging with the existing aluminium brackets using two clamps (not included).



- Determine the height of the chair rail on the wall and mark the position on the wall using a chalk line or a laser level.



- The position of the chair rail could be determined with the help of the golden section, taking into account the light switches and sockets. The following numbers help: 5 - 8 - 13.
- Divide the wall height by 13, lower part times 5, upper part times 8.
- Example: wall height 260 cm: $260 \div 13 = 20$, $20 \times 5 = 100$, $20 \times 8 = 160$, therefore lower part 100 cm, upper part 160 cm.
- The chair rail is mounted on the dividing line.



Inner corner



Outer corner

- Measure the angle of the corner of the wall using the adjustable set-square.



CUTTING

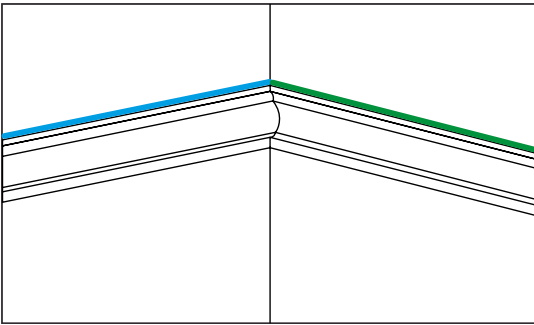
- Place the adjustable set-square flat in the bottom of the mitre box, one side resting against the vertical part of the mitre box.
- Measure the distance between the two ends of the set-square.
- Divide this value by 2 and set the saw guide to the value obtained.
- Ensure that the saw passes through the middle of the adjustment screws, correcting the position as necessary.

The procedure applies to both corners inside and outside angles (mitre).

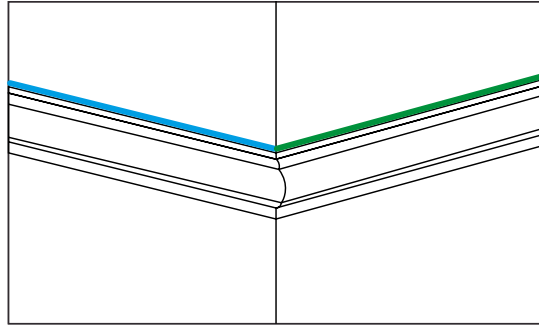


- Cut the chair-rails to size in the mitre box using the ARSTYL®/ WALLSTYL® saw.
- When using an electric mitre saw to cut WALLSTYL® chair rail, the blade must be suitable for synthetic materials.

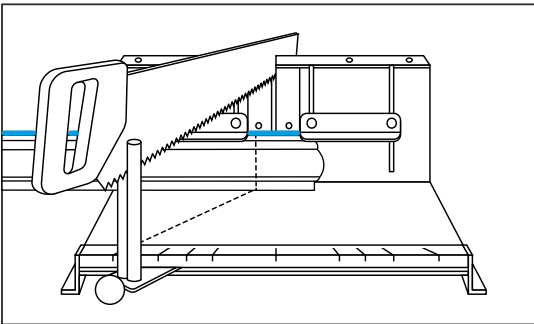
INNER CORNER



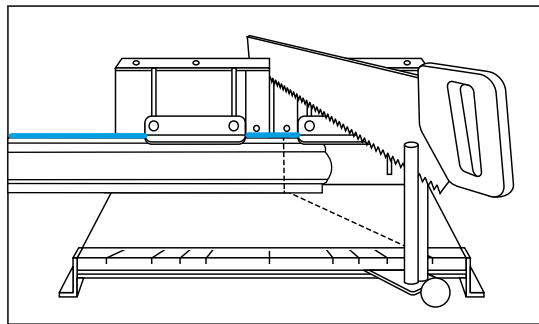
OUTER CORNER



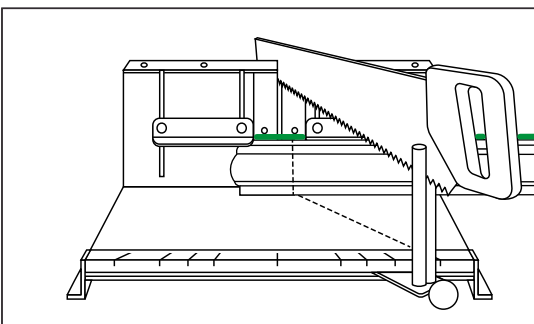
INNER CORNER LEFT



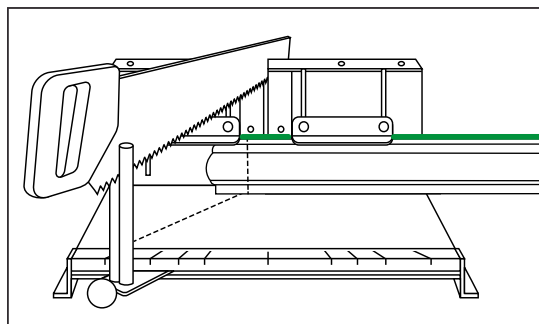
OUTER CORNER LEFT



INNER CORNER RIGHT



OUTER CORNER RIGHT



- Lightly sand the cut edges and the edges of the moulding with fine sandpaper (150 grit or less) or cutter and remove the sawdust with a damp sponge.





INSTALLATION

- Using a cartridge gun, generously apply the ADEFIX® adhesive in a continuous bead on gluing surfaces (see GLUE CONSUMPTION).



- Position the chair rails against the wall; strengthen their attachment if necessary with steel nails or dots of hot glue.
- WALLSTYL® and ARSTYL® mouldings with a height / span smaller than 8 cm and NOMASTYL® profiles: apply ADEFIX® adhesive to the cuts and corner mitres so that it forms a 3 mm joint.
- WALLSTYL® and ARSTYL® mouldings with a height / span more than 8 cm: apply ADEFIX® PLUS adhesive to the cuts and corner mitres so that it forms a 3 mm joint.

The adhesive should not make a bead when the mouldings are pressed against one another. If necessary, the ADEFIX® PLUS adhesive can be removed cleanly with white spirit.



- Leave the glue to dry (min. 6h) then finish the joints with ADEFIX® adhesive.
- Finish the wall joints as well as the mitre joints with ADEFIX® adhesive.
- Leave to dry (min. 6h). Apply the paint finish during the next 4 weeks (see FINISH).



Curves for Chair Rails



In the **NOMASTYL®** range, the chair rail and corresponding curve have the same letter.
O can be associated with **O16**.

In the **ARSTYL®** range. The **Z10** chair rail can be associated with the **Z101, Z102, Z103** and **Z104** curves.
SP2-5 matched to **SP2; SP3-4** to **SP3**.



PREPARATION

- Determine the placement of the wall frames.



- Mark the location of the frames on the wall or ceiling;
if necessary use a spirit level or a plumb line.



OPTIONS

CUTTING

- For curves curving towards the inside of the framework, cut the straight sections of curve along the mitre.
- Lightly sand the cut edges with fine emery paper (150 grit or less) or the cutter and remove the dust.



- Adjust and mark the curves on the wall.





INSTALLATION

- Apply ADEFIX® adhesive to the back of the curve.
- Place and adjust the position of the curve.
- Apply a bead of ADEFIX® adhesive to the mounting surfaces on the back of the chair rail. Glue the mitre (see GLUE CONSUMPTION).



- Place and adjust the position of the chair rail. Adjust the height of the chair rail.
- With ADEFIX® adhesive. Ensure there is still a glue joint with a width of 3 mm in the mitre.
- Place the other curves and chair rails.
- Leave the glue to dry (min. 6 hours) then finish the joints and mitres with ADEFIX® adhesive.
- Leave to dry (min. 6h). Apply the paint finish during the next 4 weeks (see FINISH).



- For curves curved outwards, you can use the factory cut mitres (45°) and possibly provide another additional change of direction.
- For ceiling framing with outside corners, do not use these curves in these corners.



STOPPING A CHAIR RAIL

- Place the chair rail in the mitre box (lower edge of the chair rail under the sliders).
- Make a cut at 45° above the outer edge of the chair rail (outer mitre cut).



- Make the counter-cut.



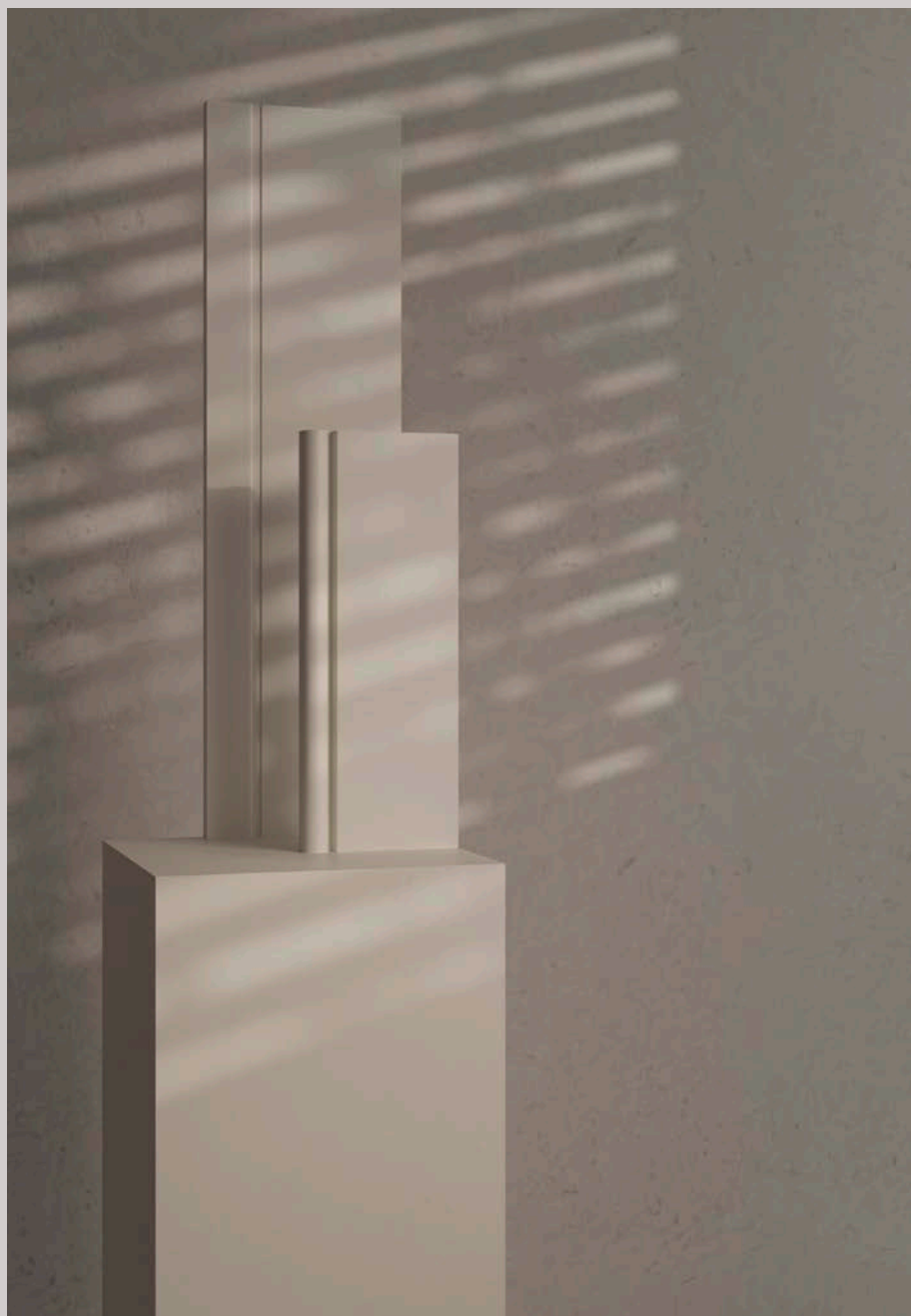
- Sand down and dust off the cut edge, then attach the chair rail with adhesive.



You can also make the elbow using hot glue. This allows the chair rail to be positioned after just a few minutes, without the risk of inaccuracies in the outside mitre.



NOËL & MARQUET
DESIGN ELEMENTS



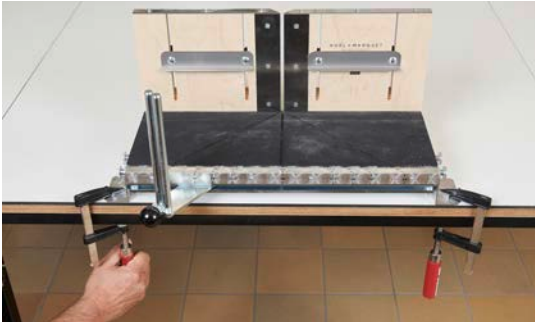
3

Skirtings

Installation manual

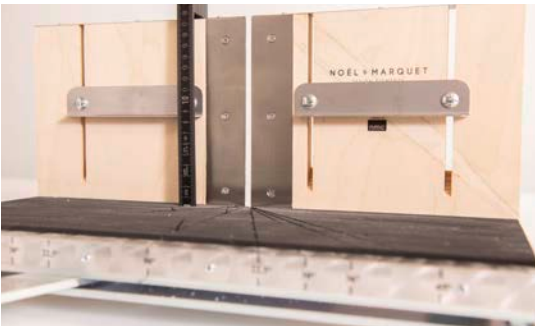
09-2022

Skirtings general



PREPARATION

- The VARIO mitre box can be fixed to the worktop or the staging with the existing aluminium brackets using two clamps (not included).



- Adjust the sliders of the mitre box to the height of the skirting or the side or take them off as they are not necessary for the cut of skirtings.



Inner corner



Outer corner

- Measure the angle of the corner of the wall using the adjustable set-square.



- Place the adjustable set-square flat in the bottom of the mitre box, one side resting against the vertical part of the mitre box.
- Measure the distance between the two ends of the set-square.
- Divide this value by 2 and set the saw guide to the value obtained.
- Ensure that the saw passes through the middle of the adjustment screws, correcting the position as necessary.

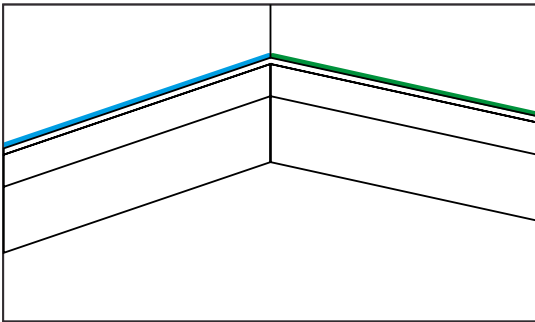
The procedure applies to both corners inside and outside angles (mitre).



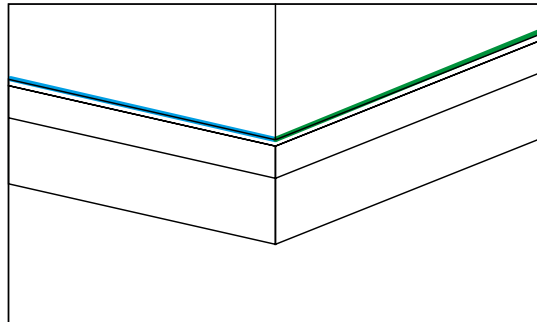
CUTTING

- Cut the skirting to size in the mitre box with the WALLSTYL® saw.

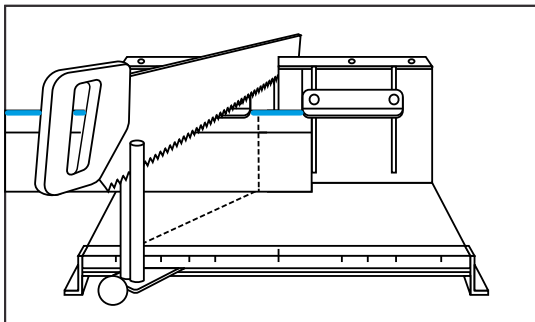
INNER CORNER



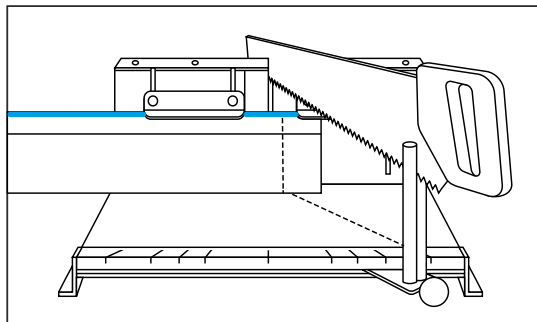
OUTER CORNER



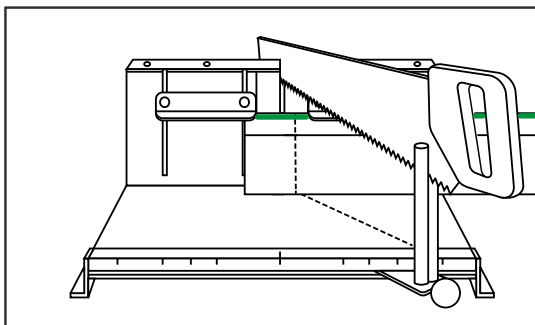
INNER CORNER LEFT



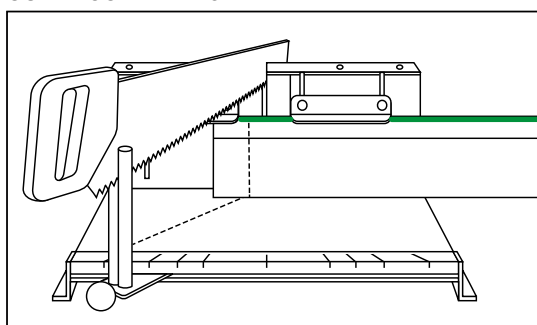
OUTER CORNER LEFT



INNER CORNER RIGHT



OUTER CORNER RIGHT



- When using an electric mitre saw, the blade must be suitable for synthetic materials. Cut at high speed.
- At the connection joints, saw the profiles in 45° angles.



- Lightly sand the cut edges and the edges of the skirting with fine sandpaper (150 grit or less) or cutter and remove the sawdust with a damp sponge.



INSTALLATION

- Using a cartridge gun, generously apply the ADEFIX® adhesive in a continuous bead on the backside of the skirting (see GLUE CONSUMPTION).
- Use ADEFIX® PLUS as an adhesive for installation on non-absorbent substrates or in damp rooms.
- WALLSTYL® skirtings with a height / span smaller than 8 cm :
- Apply ADEFIX® adhesive to the cuts and corner mitres so that it forms a 3 mm joint.
- WALLSTYL® skirtings with a height / span more than 8 cm: apply ADEFIX® PLUS adhesive to the cuts and corner mitres so that it forms a 3 mm joint.
- The adhesive should not make a bead when the skirtings are pressed against one another. If necessary, the ADEFIX® PLUS adhesive can be removed cleanly with white spirit.

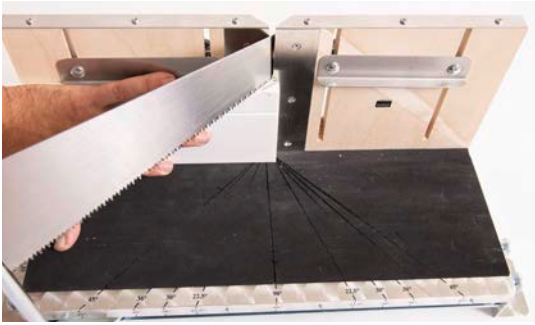


- Leave the glue to dry (min. 6 hours) then finish the joints and mitres with ADEFIX® adhesive.



- Leave the glue to dry (min. 6h) then during the next 4 weeks, apply the final coating (see FINISH).

Special cases



ENDING A SKIRTING

- Lay the skirting flat in the mitre box.
- Make a cut at 45° above the protruding edge of the skirting (cut the outer mitre).



- Make a large enough reverse cut (45°).



- Sand and dust off the cut edge, and then secure it with ADEFIX® adhesive.



You can also make the elbow using hot glue. This allows the skirting to be positioned after just a few minutes, without the risk of inaccuracies in the outside mitre.



Finished skirtings are ready to be installed and do not need to be painted. The mitres and joints must not be glued and remain visible after installation. If a subsequent final coating is required, please contact our technical department.





NOËL & MARQUET
DESIGN ELEMENTS



4

Flexible profiles

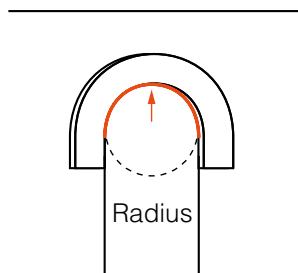
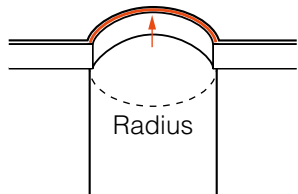
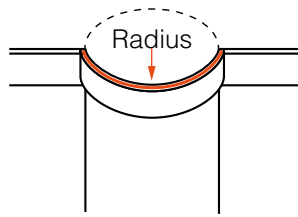
Installation manual

09-2022



RADIUS

- Check the suitability of the moulding.



Min. Radius

Z1 FLEX	140 cm
Z10 FLEX	20 cm
Z13 FLEX	70 cm
Z15 FLEX	155 cm
Z16 FLEX	165 cm
Z18 FLEX	200 cm
Z19 FLEX	250 cm
Z30 FLEX	70 cm
Z31 FLEX	70 cm
Z32 FLEX	70 cm
Z1240 FLEX	155 cm
Z1220 FLEX	165 cm
FL1 FLEX	20 cm
FL2 FLEX	20 cm
FD2 FLEX	20 cm
FD2S FLEX	20 cm
FT2 FLEX	20 cm
WD2 FLEX	20 cm

The radii refer to ceiling, wall and floor use.

Min. Radius

Z1 FLEX	110 cm
Z10 FLEX	30 cm
Z13 FLEX	90 cm
Z30 FLEX	90 cm
Z31 FLEX	90 cm
Z32 FLEX	90 cm
FL1 FLEX	110 cm
FL2 FLEX	140 cm

The radii refer to wall use, for example for a passage, a door, bull's-eye, etc.



- Mounting with ADEFIX® PLUS (see GLUE CONSUMPTION).
- Finish the adhesive joint with ADEFIX® adhesive.
- In the case of walls curved towards the inside of a room (convex), bevel the rear face of the moulding towards the edge with the cutter (deepen the score at the back of the moulding). This gives a better fit.
- As far as possible, make the join to the standard ARSTYL®/WALLSTYL® moulding (e.g. Z19 Flex to Z19) in a corner of the room.
- During the installation, secure the mouldings using nails or screws until the assembly glue (ADEFIX® PLUS) has dried (about 24 hours).
- Follow chapter CORNICES for next steps.



Keep the ARSTYL® FLEX/WALLSTYL® FLEX mouldings warm until use (place them on a radiator or warm them with a hair dryer).



NOËL & MARQUET
DESIGN ELEMENTS



5

Lighting profiles

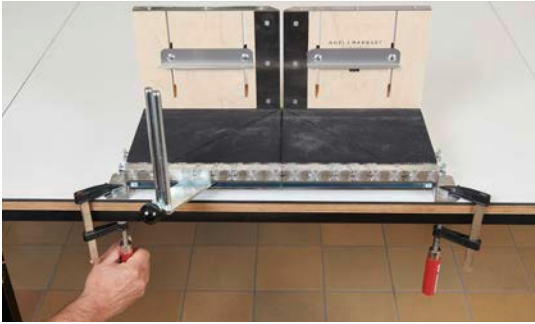
Installation manual

09-2022

Indirect lighting Cornices



Check lighting profiles for suitability of insert for indirect lighting. Select the profiles so that the luminaire is concealed and luminaires that produce heat have no direct contact with the profiles (min. 3 cm distance). If LED stripes are used, we recommend the use of LED aluminium rails.



PREPARATION

- The VARIO mitre box can be fixed to the worktop or the staging with the existing aluminium brackets using two clamps (not included).



- Adjust the sliders of the mitre box to the height of the moulding or the side (distance between the bottom edge of the moulding and the ceiling).



- Determine the height of the moulding on the wall minus the distance of the top edge of the moulding to the ceiling (min. 8 cm) on the wall. Mark the height of the moulding on the wall using a chalk line or a laser level.



Inner corner



Outer corner

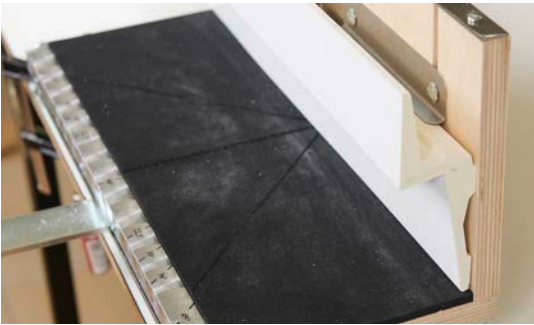
- Measure the angle of the corner of the wall using the adjustable set-square.





- Place the adjustable set-square flat in the bottom of the mitre box, one side resting against the vertical part of the mitre box.
- Measure the distance between the two ends of the set-square.
- Divide this value by 2 and set the saw guide to the value obtained.
- Ensure that the saw passes through the middle of the adjustment screws, correcting the position as necessary.

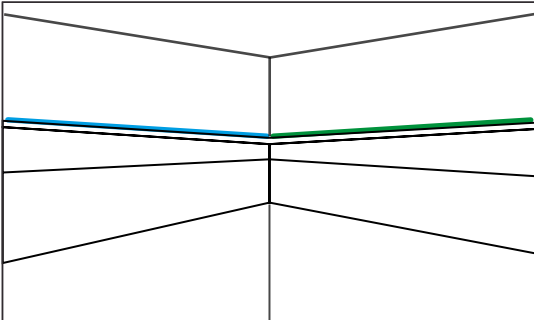
The procedure applies to inner and outer corners (mitre).



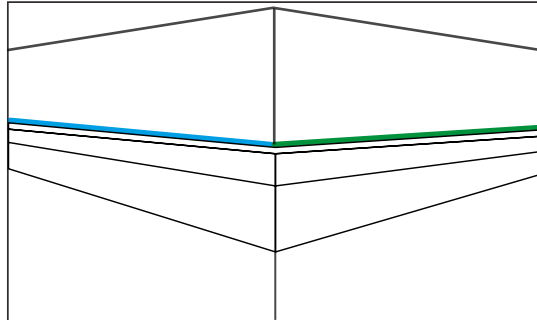
CUTTING

- Mitre cut the moulding using the appropriate saw:
 NOMASTYL®: PS saw
 ARSTYL®: HDPS/PU saw
 WALLSTYL®: HDPS/PU saw

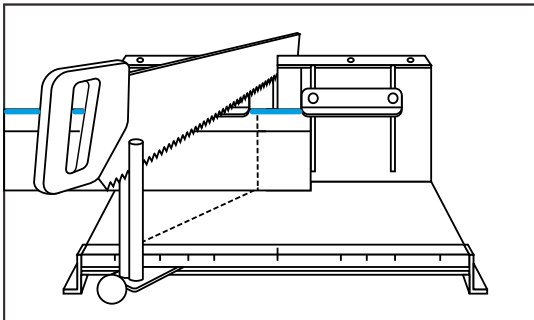
INNER CORNER



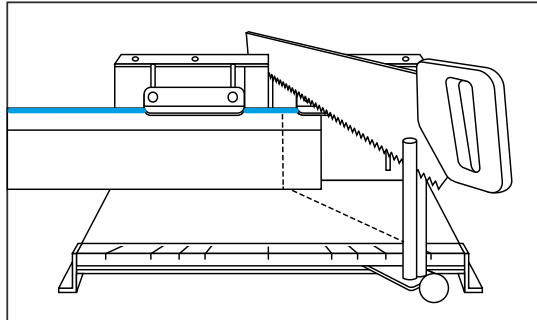
OUTER CORNER



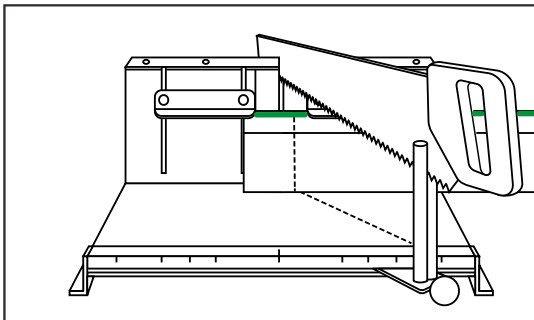
INNER CORNER LEFT



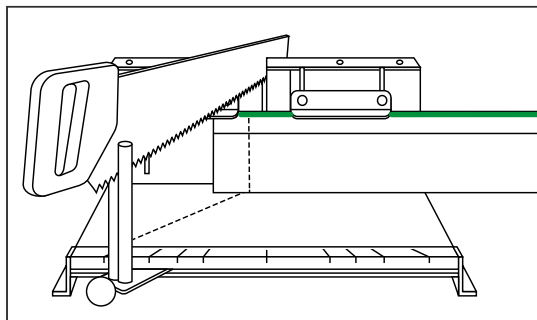
OUTER CORNER LEFT



INNER CORNER RIGHT



OUTER CORNER RIGHT





- Lightly sand the cut edges and the edges of the moulding with fine sandpaper (150 grit or less) or cutter and remove the sawdust with a damp sponge.



INSTALLATION

- Using a cartridge gun, generously apply the ADEFIX® PLUS adhesive in a continuous bead on gluing surfaces (see GLUE CONSUMPTION).



- Immediately install the cornices by pressing lightly (avoid finger pressure).
- Install the cornices so that the mitres and joints are flat and without offset (step).



- Apply ADEFIX® PLUS adhesive to the cuts and corner mitres so that it forms a 3 mm joint. The adhesive should not make a bead when the mouldings are pressed against one another. If necessary, the ADEFIX® PLUS adhesive can be removed cleanly with white spirit.



- Finish the adhesive joint with ADEFIX® adhesive.



- Remove excess glue, use a damp sponge or spatula if necessary.



- Smooth the joint with the NOËL & MARQUET painters's spatula.



- Leave to dry (min. 6h), then lightly sand the joints with emery paper (150 grit or finer). Make sure that the primer or film is not sanded down!



- Finish the wall joints as well as the mitre joints with ADEFIX® adhesive.





- Leave to dry (min. 6h). Apply the paint finish within 4 weeks (see FINISH) and install the LEDs.



Cornices NOMASTYL® or WALLSTYL® for indirect lighting



- If using a NOMASTYL® PLUS type moulding or WALLSTYL® (except IL3, IL4, IL10, IL11 or IL12), be sure to stick NMC reflective tape to the back (roll of reflexion tape: length 50 m x width 5 cm). This prevents the light shining through.
- The luminaires must not be placed inside, they must have their own mounting system, except for LED continuous rows or LED aluminium tracks with low heat generation <math><70^{\circ}\text{C}</math>.



To avoid the formation of cracks in the joints, you can cover the whole moulding with a fine non-woven fabric. Use an appropriate glue, for example Ovalit V.

WT4 WALLSTYL® - Complement



- Before installing WT4, mark the position of the mounting clips on the wall, provide at least 2 clips per batten (included in delivery).

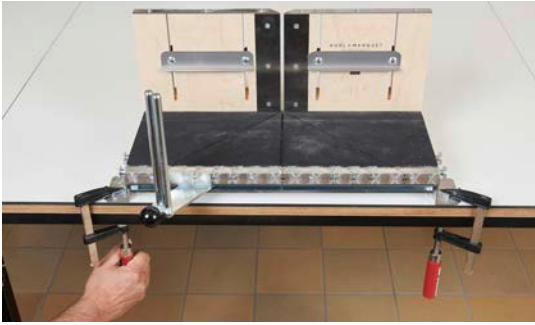


- Attach the clips to the wall.



- Apply a bead of ADEFIX® PLUS adhesive to the rear surface of the cornice (see GLUE CONSUMPTION).
 - Slide the WT4 moulding WT4 onto the mounting clips; if necessary use nails, screws or additional points of hot glue.
- For further procedure, see INDIRECT LIGHTING - CORNICES.

Indirect Lighting Skirtings



PREPARATION

- The VARIO mitre box can be fixed to the worktop or the staging with the existing aluminium brackets using two clamps (not included).



- Adjust the sliders of the mitre box to the height of the skirting or the side or take them off as they are not necessary for the cut of skirtings.



Inner corner



Outer corner

- Measure the angle of the corner of the wall using the adjustable set-square.



- Place the adjustable set-square flat in the bottom of the mitre box, one side resting against the vertical part of the mitre box.
- Measure the distance between the two ends of the set-square.
- Divide this value by 2 and set the saw guide to the value obtained.
- Ensure that the saw passes through the middle of the adjustment screws, correcting the position as necessary.

The procedure applies to inner and outer corners (mitre).



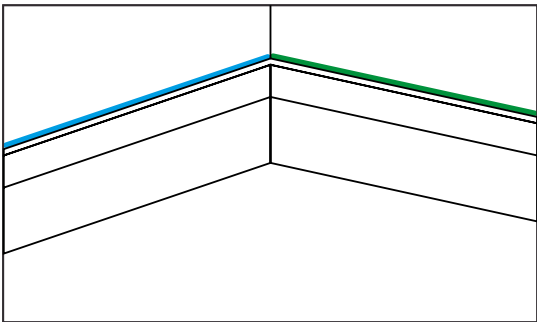
CUTTING

- Place the skirting on the floor and mark the cut direction.

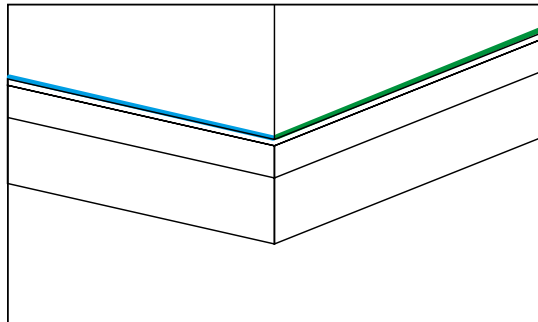


- Cut the skirting to size in the mitre box with the WALLSTYL® saw.

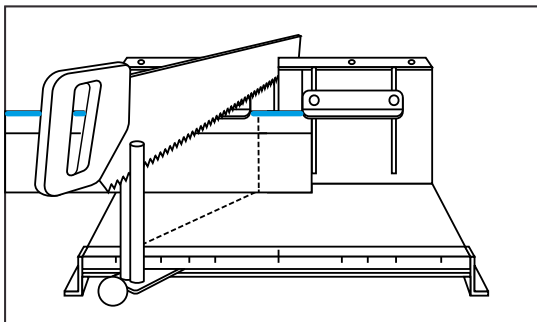
INNER CORNER



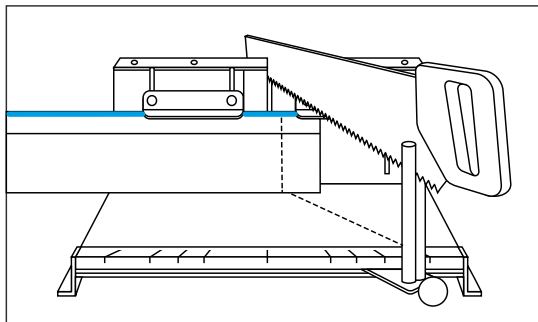
OUTER CORNER



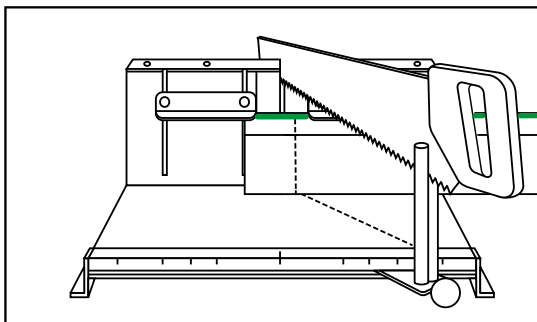
INNER CORNER LEFT



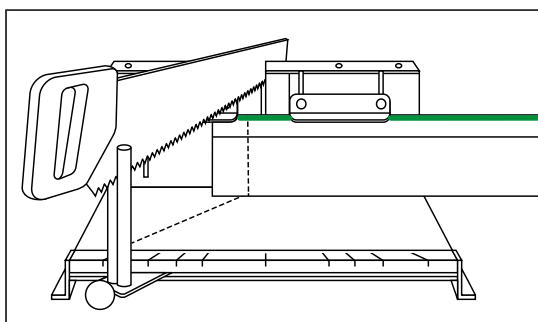
OUTER CORNER LEFT



INNER CORNER RIGHT



OUTER CORNER RIGHT





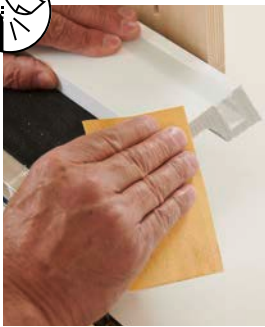
- When using an electric mitre saw, the blade must be suitable for synthetic materials. Cut at high speed.



Remove the LED diffuser before cutting (risk of splintering) and cut to size with a handsaw.



- At the connection joints, saw the profiles in 45° angles.



- Lightly sand the cut edges and the edges of the skirting with fine sandpaper (150 grit or less) or cutter and remove the sawdust with a damp sponge.



INSTALLATION

- Using a cartridge gun, generously apply the ADEFIX® adhesive in a continuous bead on the backside of the skirting (see GLUE CONSUMPTION).
- Use ADEFIX® PLUS as an adhesive for installation on non-absorbent substrates or in damp rooms.



- Immediately install the profiles by pressing lightly.
- Install the profiles so that the mitres and joints are flat and without offset (step).



- Remove excess glue, use a damp sponge or spatula if necessary.
- Smooth the joint with the NOËL & MARQUET painter's spatula.



- Apply ADEFIX® PLUS adhesive to the cuts and corner mitres so that it forms a 3 mm joint. The adhesive should not make a bead when the skirtings are pressed against one another. If necessary, the ADEFIX® PLUS adhesive can be removed cleanly with white spirit.



- Leave the glue to dry (min. 6 hours) then finish the joints and mitres with ADEFIX® adhesive.





- Leave to dry (min. 6h). Apply the paint finish within 4 weeks (see FINISH). The diffuser should be removed before painting.



- After drying, place LED stripes and diffuser.



The connection to the power supply must be carried out by a qualified electrician.





1. Which type of LED is recommended?

The choice of LED strips depends on the desired light colour, the desired light output and the place of use. Due to the numerous and rapid developments in the field of LED strips, we cannot make a recommendation for a specific LED strip.

2. Where to install the cable and driver?

Cable: There is enough space behind the profile.

Driver: The location of the driver will depend on the size and shape of the driver and the lighting profile used. The ideal location must be determined in advance depending on the installation conditions.

3. What is the type of material and finishing of the diffuser?

ABS – OPAL

4. Punctual light prevention

The more LEDs per meter, the less light dots will be visible. The diffuser also provides uniform, indirect and glare-free light.

5. What is the maximum temperature?

The temperature resistance of the profile is +70°C, therefore the temperature of the LEDs must not exceed 70°C.

6. Is an aluminium rail or heat dissipation necessary?

With the low surface temperatures of LED technology, there is practically no infrared radiation. This is why the heat must be dissipated by heat dissipators to ensure optimum operation. Aluminium profiles or rails are recommended for this purpose.

The resulting heat build-up when not using the recommended heat dissipators can have a negative effect on the lifespan of the LEDs and the adhesive strength of the adhesive tapes.

Always follow the manufacturer's recommendations.

7. Who can make the electrical connection?

The connection must be carried out by a qualified electrician.

8. Which drivers are suitable?

Suitable power supplies for LED strips are direct current sources (exact voltage in volts). The power of the driver must always be greater than the total power of the strip to be installed!

Example:

■ LED: 9,6 W/meter

■ Total length: 5 meters

■ Power: $9,6 \times 5 = 48$ W, rounded = 50 W.

→ Driver power: the driver should be selected with the next higher power, e.g. 70 W. Always observe the technical specifications of the LED strip.





9. How do I proceed with the corners?

For horizontal installation, LED strip systems should be used which offer easy connection angles. In this way, a uniform light pattern is also created in the corner area and mechanical damage to the strip light is avoided. Ready-to-use corners are also available for vertical installation.

10. Can the profiles be painted?

The visible sides of the profiles are primed and can therefore be painted (see FINISH). Please note for IL10/11/12 that the diffuser has to be removed before painting and that there are no edges/drops of paint in the area where the diffuser is attached to the profile. This could have a negative effect on the fixing of the diffuser.

11. Can I install the profiles in damp rooms?

The profiles are water-resistant. For the LEDs, depending on where you are going to install them, you will need to procure water resistant LEDs/drivers.

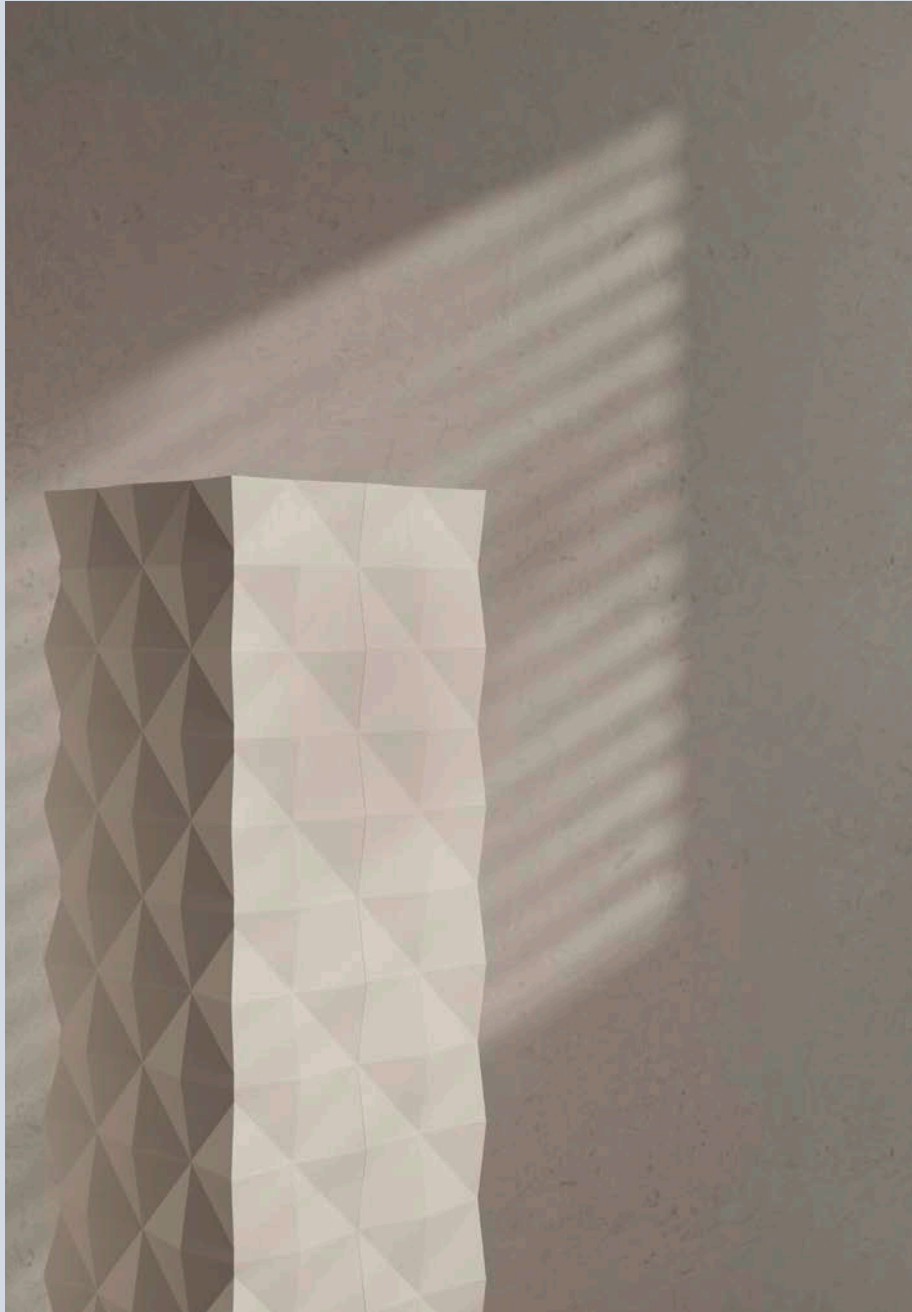
12. Which glue is recommended?

Please refer to our glue consumption tool available on our website: noel-marquet.com

We recommend to contact an electrician/LED manufacturer to ensure a safe and proper installation of the LEDs!



NOËL & MARQUET
DESIGN ELEMENTS



6

Design Elements

Installation manual

09-2022

Ceiling Roses ARSTYL®



PREPARATION

- Align the ceiling rose on the ceiling, measure and mark its position.
- If necessary, create an opening for the electrical cable and the light fixture (hole saw, cutter).



INSTALLATION

- Apply a bead of ADEFIX® adhesive along the whole edge of the ceiling rose (see GLUE CONSUMPTION).
- If necessary, use warm glue in addition.

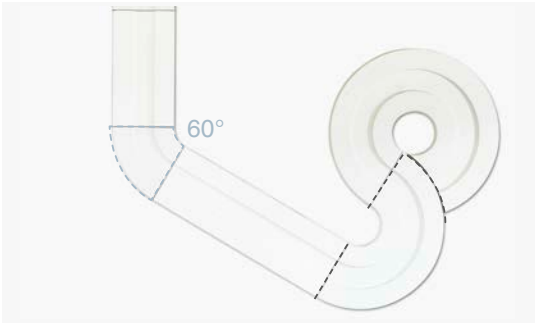


- Position the ceiling medallion on the ceiling, securing it as necessary with steel nails.
- Seal the surrounding joint with ADEFIX®.



- ARSTYL® ceiling roses are coated with a primer coat of paint at the factory.
- Ceiling roses are not suitable for supporting loads. The luminaires must be mounted in a solid support (ceiling).
- All products with a primer coat of paint and grouted areas must be covered with a finishing coating within 4 weeks after installation (see FINISH).
- If you use additional hot glue, it is generally not necessary to cool them in advance.
- If ceiling medallions are used close to light fixtures, the temperature must not exceed +70°C.
- ARSTYL® ceiling roses can also be used outdoors. In this case, their backside must be treated with a synthetic primer before use. Gluing and jointing must be carried out with DOMOSTYL® assembly adhesive (see FINISH).

R61 in combination with Z61



PREPARATION

- Align the ceiling rose, measure and mark its position.
- Mark the position of the chair rail. Measure angle, see drawing.



- Mark the outline of the curve.



- The back of the ceiling medallion is graduated every 5 degrees.



CUTTING

- Cut the ceiling medallion by hand using the HDPS/PU saw along the traced line.
- If the trace is curved, use a jig saw.



- Cut the mouldings to size and at the right angle in the mitre box using the HDPS-PU saw.
- Lightly sand the cut edges with fine Emery paper (150 grit or less) or a cutter and remove the dust with a damp sponge.





INSTALLATION

- Apply ADEFIX® adhesive generously to the back edge of the chair rail and the ceiling rose.
- Apply the ADEFIX® PLUS adhesive to the ends of the mitre to form a 3mm joint in width that does not form a bead when the separate elements are pressed together. If necessary, the adhesive can be removed with white spirit.

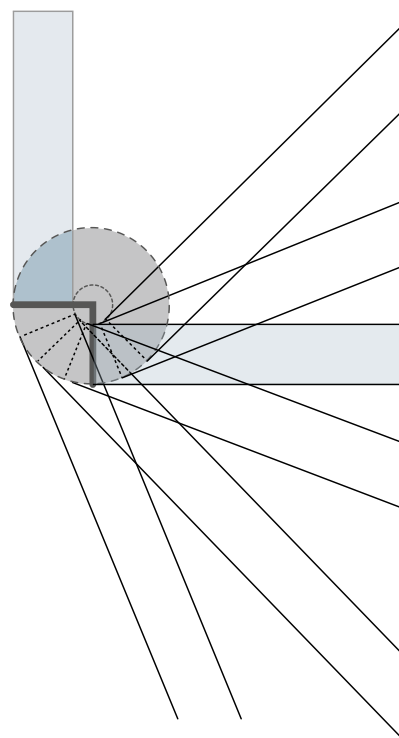


- Retouchal of the wall and ceiling joints as well as the mitres with ADEFIX® adhesive (see GLUE CONSUMPTION).



- Smooth the completed assembly with the NMC painter's spatula.
- Retouch all of the wall and ceiling joints as well as the mitres with ADEFIX® adhesive.
- Allow the glue to dry (min. 6 hours) then sand the outsides of the joints lightly (Emery paper 150 grit or less) and retouch them again with ADEFIX® adhesive.
- During the next 4 weeks, apply the final coating (see FINISH).

EXAMPLE OF CUT-OUTS AND FITTINGS





PREPARATION

- Determine the position of the pilaster. When installing in a passage, remember that the base and capital are larger than the fluted core.
- Adjust and mark the location with a spirit level or plumb line.



- Adjust the length of the pilaster.



CUTTING

- Cut the base to the right length (HDPS/PU saw).
- If there are skirtings, make the cut-out large enough.



- If the available height is less than 235 cm, the centre fluted section should be shortened by cutting the middle (two cuts). This eliminates the need to truncate the end of the splines.
- The pilaster can also be elongated in the same way.





- Lightly sand the cut edges with sandpaper and remove the dust.



INSTALLATION

- Apply a bead of ADEFIX® adhesive to the bonding surfaces on the back of the base.
- Position the base.
- Do the same for the fluted core and capital.



- Glue the vertical and mitre joints with ADEFIX® PLUS joint adhesive (see GLUE CONSUMPTION).



- Smooth with ADEFIX® adhesive.
- Allow a glue joint of at least 3 mm between the different parts of the pilaster.



- Allow the glue to dry (min. 6 hours) then sand the outsides of the joints lightly (sandpaper 150 grit or less) and retouch them again with ADEFIX® adhesive.





- Grout the outside joints with ADEFIX® adhesive.



- ARSTYL® pilasters are covered with a coating of primer at the factory.
- Coat all products with primer; grouted and filled areas must be covered with a final coating within two weeks after installation (see FINISH).



If you have to place a large moulding between the wall and the ceiling, you can skip the capital. Instead, you can put the moulding around the central part of the fluted pilaster, for example, here, with Z40 ARSTYL®.





PREPARATION

- The finish coating can in most cases be applied to the panels before assembly (see FINISH).
- Prepare the panels, lightly sand edges if necessary with sandpaper (grit 150 or less).
- Wipe edges and panel surface with a damp sponge and dry.
- We recommend to paint edges of all wall panels before the installation.



INSTALLATION

- Measure out the wall and establish the position of the individual panels using the spirit level.



We recommend beginning the installation in the middle of the wall, so that the panels can later be trimmed to size in the wall and ceiling connection area in order to even out areas where the course of the wall or ceiling is not straight.



- Mark the bottom and lateral positioning.



- Align and mark the lower laying line with the spirit level.



- On the lower laying line, use nails and wooden battens if necessary or nail clamps.



- Clamp the adhesive cartridge, cut cartridge nozzle (diameter 5-8 mm).



- Apply a continuous line (bead) of ADEFIX® PLUS mounting adhesive to the rear mounting surfaces (see GLUE CONSUMPTION).



- Note the directional arrows on the back of the panels, they must point in the same direction.



- Position the panels and embed them with a sliding movement in the adhesive bed.





- With the LIQUID and WAVE models, the use of spacers is recommended to keep the distance between the panels uniform. For the other models, spacers can be dispensed with.
- Through the use of tile spacers, the substrate becomes visible in this area. These areas must be painted appropriately, e.g. in the color of the panels, before installing the panels.



Butt joint areas must not be glued or grouted. It should be noted that the connection point remains slightly visible after completion. This is not a reason for complaint.



- Measure the size of the panels to be trimmed in the wall and ceiling connection area and transfer to the back of the panels.

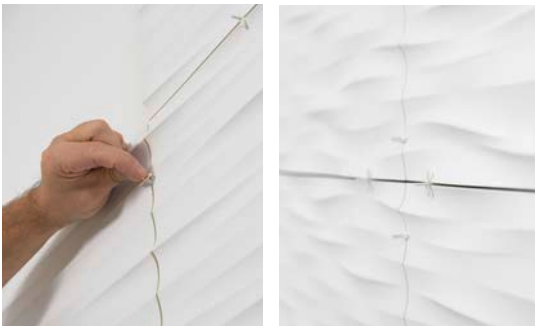


- Cut the panels to fit (Hand saw with set beam or circular saw with rail).





- Further procedure as before.



- Professionally grout the ceiling and wall connection area with ADEFIX® adhesive filler.
- After drying (min 6h), the spacers can be removed



- If final painting has not been undertaken before assembly, apply the final coat of paint to the panels after drying (approx. 6 hours) and within 4 weeks (see FINISH).



- With polyurethane materials there may be a slight dimensional change at increased temperature and humidity. A joint up to 2 mm can arise due to these material-specific properties at the panel joint area. This is not a reason for complaint.
- The back of the wall panels is uneven and has cavities. If a panel is mounted such that a cut-side remains visible, it can be smoothly filled with ADEFIX® PLUS and ADEFIX®. In this case, make sure that the upper surface levelling coat is made only with ADEFIX®.
- A mitre cut is not recommended.
- Holes and cut outs can be made with standard hole saws, angular cut outs with a jig saw.

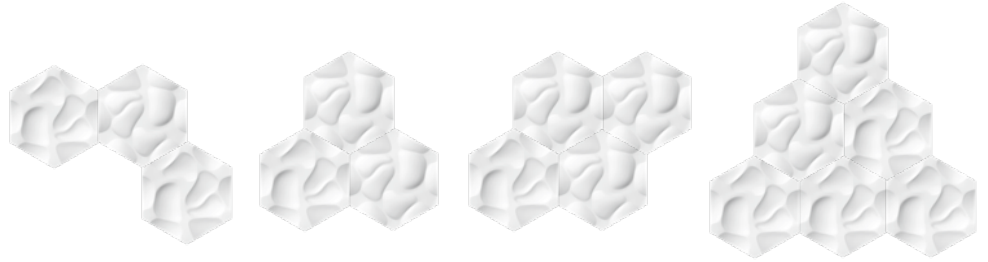




VARIED AND CREATIVE WALL INSTALLATION OPTIONS

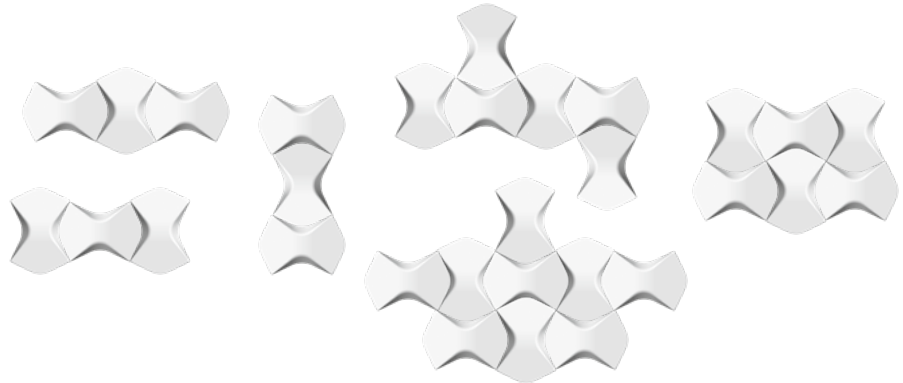
CORAL

The reference CORAL can be combined in any order; all 6 sides fit accurately.



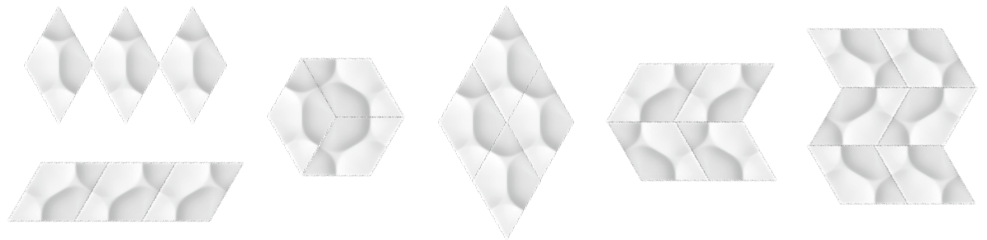
WING

The reference WING can be combined alternately horizontally and vertically.



RAY

The reference RAY is perfectly symmetric and can be combined in different ways.



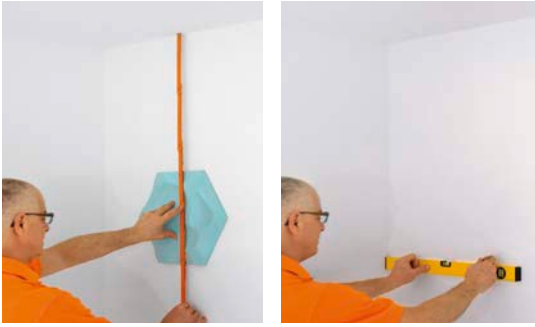
PUZZLE

The reference PUZZLE can be assembled in many different ways thanks to its unique design.



PREPARATION

- Prepare the tiles, lightly sand edges if necessary with sandpaper (grit 150 or less).
- Wipe edges and panel surface with a damp sponge and dry.
- The finish coating can in most cases be applied to the tiles before assembly (see FINISH).



INSTALLATION

- Measure the wall and establish the position of the ARSTYL® WALL TILES.
- Set out the lower laying line using a spirit level.



- Clamp the adhesive cartridge, cut cartridge nozzle (diameter 5-8 mm).



- Apply a continuous line (bead) of ADEFIX® PLUS mounting adhesive to the rear mounting surfaces (see GLUE CONSUMPTION).



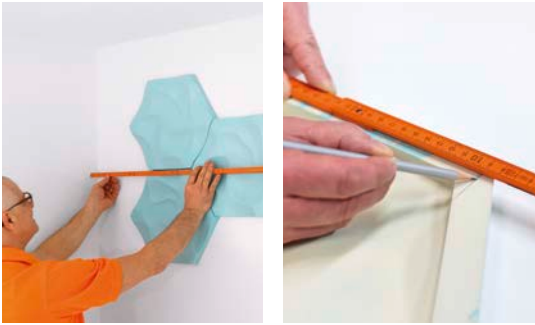
- Position the ARSTYL® WALL TILES and embed them in the adhesive



- Butt-join the ARSTYL® WALL TILES.



Butt joint areas must not be glued or grouted.



INSTALLATION ON A COMPLETE WALL

For a complete wall design with ARSTYL® WALL TILES, the following instructions should be additionally taken into account.

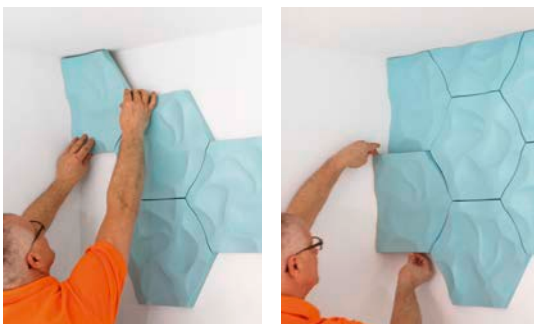
- Measure the wall and establish the position of the ARSTYL® WALL TILES. Set out the lower laying line using a spirit level.
- Measure the size of the ARSTYL® WALL TILES to be trimmed in the wall and ceiling connection area and transfer to the back.



We recommend starting the installation in the middle of the wall, so that the ARSTYL® WALL TILES can later be trimmed to fit where the walls and ceiling meet.



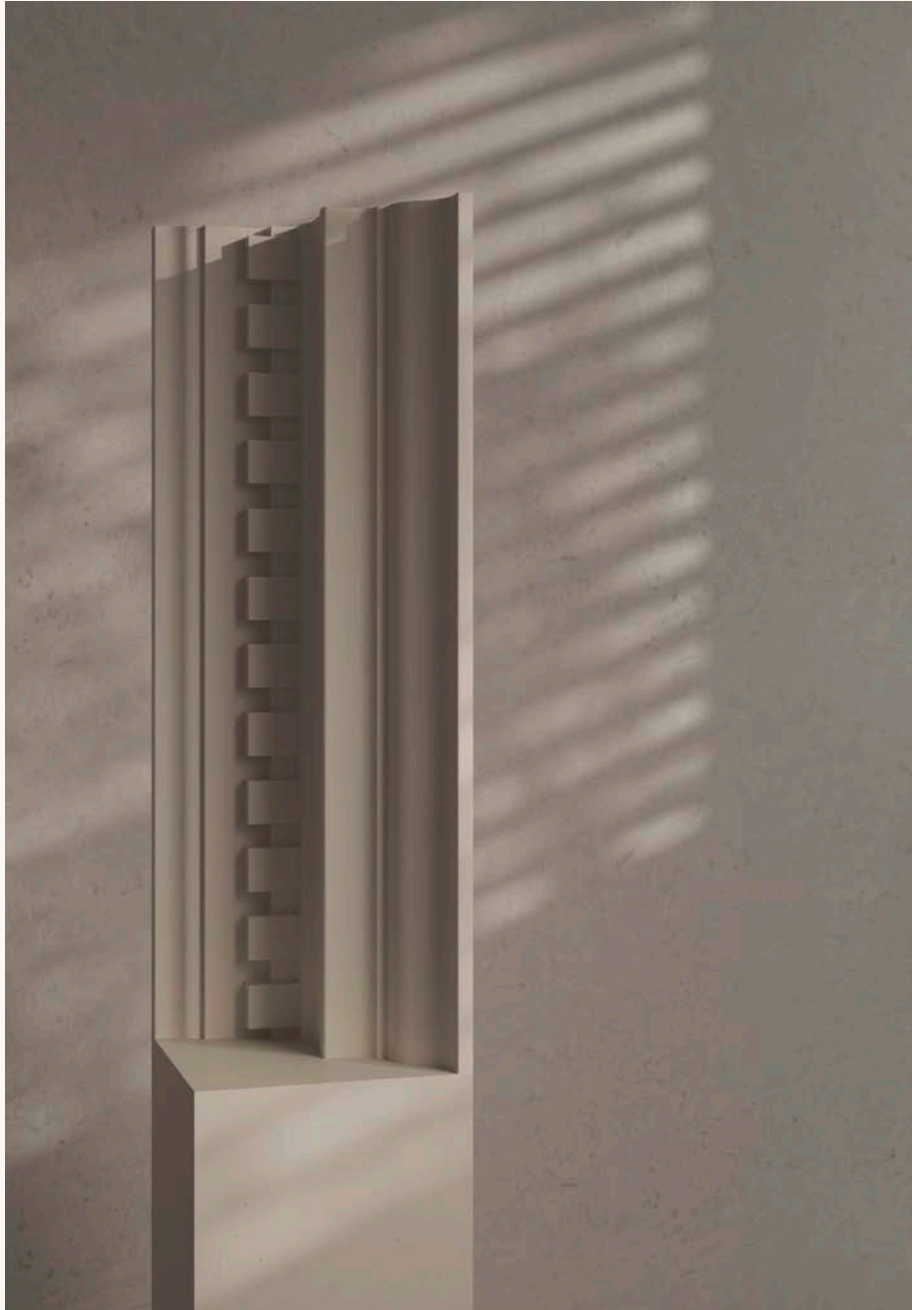
- Cut the ARSTYL® WALL TILES to fit with hand saw and set beam.



- Professionally grout the ceiling and wall connection area with ADEFIX® adhesive filler if necessary.
- The back of the ARSTYL® WALL TILES is uneven and has cavities. If an element is mounted such that a cut-side remains visible, it can be smoothly filled with ADEFIX® PLUS and ADEFIX®. In this case, make sure that the upper surface levelling coat is made only with ADEFIX®.



NOËL & MARQUET
DESIGN ELEMENTS



7

Facade decoration

Installation manual

09-2022

Window sill profile



PREPARATION

- Determine and mark the position (bubble level, chalk line).



ANGLED SECTION

- Cut the angled section to size for the right side of the window sill profile (saw, mitre box or electric mitre saw).



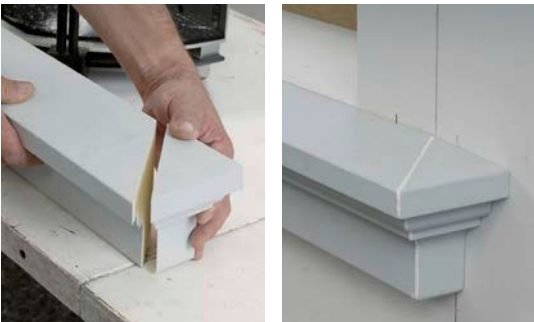
- Lightly sand the cut edges and the edges with sandpaper or cutter.



- Remove the sawdust with a damp sponge.



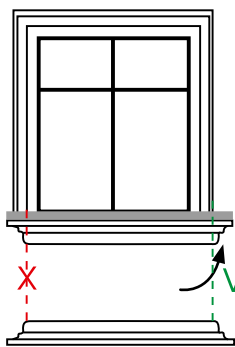
- Using a cartridge gun, generously apply the DOMOSTYL® HYBRID adhesive in a continuous bead on the backside (see GLUE CONSUMPTION).



- Install angled section.



- Turn right-angled window sill profile with the lower edge upwards and mark the appropriate length on the lower edge.



WINDOW SILL PROFILE ANGLED ON BOTH SIDES

- After installation, the window sill profile should be sufficiently protrude.



- Cut the left side angle of the window sill profile to size.





- Fit the left side angle, remove excess adhesive with a cloth soaked in turpentine substitute.

Angled window sill profile



- Apply DOMOSTYL® HYBRID adhesive to the wiped adhesive surfaces of the angled window sill profile as a continuous bead, diameter 10mm, all around (see GLUE CONSUMPTION).



- Fit the window sill profile, if necessary, use nails to prevent the window sill profile from slipping.



- Install professionally the metal or stone window sill.

Frame profiles



- Position the frame profile (let it protrude by approx. 2mm) and mark the position (spirit level).



- Cut the frame profile to fit the mitre (saw and mitre box or electric mitre saw).



- Apply DOMOSTYL® HYBRID adhesive to the back of the profile all around as a continuous bead (diameter 10 mm) (see GLUE CONSUMPTION).



- Apply DOMOSTYL® HYBRID adhesive to the gluing surfaces and mitre cuts (liberated from sawdust). The surface should be completely covered with the adhesive. The adhesive joint must be formed so that it has a width of 3 mm after completion.



- Install frame profiles, butt joints and mitre joints with DOMOSTYL® HYBRID adhesive. After drying (approx. 24 hours), fill the adhesive joints again with DOMOSTYL® HYBRID adhesive.





- Joint professionally with DOMOSTYL® HYBRID adhesive the frame profiles including the protruding edge in the area of the window jam.



- After the joints have dried (approx. 24 hours), smooth the window reveal along the protruding edge of the frame profile, which has been grouted with DOMOSTYL® HYBRID adhesive, with a facade filler.



- After drying, coat the facade profiles 2 times with pure acrylate based facade paint (see FINISH).

String course



- Install in the same way as the window sill profiles, the joint in the upper area of the belt cornice must be formed into a groove.



Cut in the profile (downpipe)



- If cuts have to be made, they can be cut straight, in which case the cut edge is sealed with DOMOSTYL® Hybrid adhesive. It is also possible to angle the profiles on both sides.

Key stone



- Determine and mark the position of the key stone (spirit level).





- Measure the course of the cut (protractor).



- Adjust the course of the cut in the mitre box or electric mitre saw.



- Mark the course of the cut on the frame profile. Cut frame profiles to size.



- Mount the keystone, if necessary fix it with a nail.





- Cut the frame profiles to size and then mount.



Area of the roof overhang and passage



- There are 2 possibilities. 1) Window sill profiles run parallel to the roof overhang and verge. 2) Window sill profiles run horizontally at the gable. In both cases, the mitres are cut with a 45° cut setting.



- If an additional frame or window sill profile is to be installed in the gable area, the cutting angle must be measured with a protractor (positioning angle) and the profile cut to size.



Gable



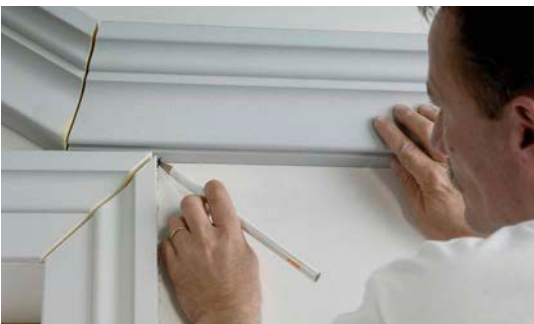
- Define and mark the position and size.



- Measure the angle, set the mitre box or electric mitre saw and cut the pointed gable.



- Mount the pointed gable.



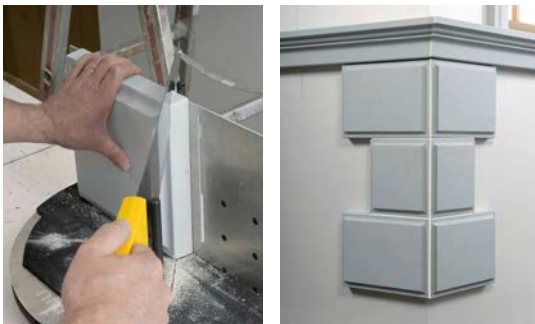
- Cut the side parts to size and assemble.



Stones



- Define and mark position.



- If you want the stones to border the corner of the house, there are 2 possible cuts.

1) Cut the corner stones so that the chamfer remains visible, or



2) Cut the chamfer away.



- The butt joints and mitre joints must be glued and grouted with the DOMOSTYL® HYBRID adhesive.





- Stones can be installed in offset, row or interspersed.



Ceiling Roses



- ARSTYL® ceiling roses and pilasters may also be used outdoors.
- Before installation, the back of the products must be primed with solvent-based synthetic primers.
- After drying, they are mounted and grouted with DOMOSTYL® HYBRID adhesive. After they have dried again, they must be painted twice with pure acrylate-based facade paint.

Repair of damaged profiles



- Minor damage can be filled with DOMOSTYL® HYBRID adhesive.



- Major damage, straighten.



- Cut a piece to the appropriate size (use a profile of the same reference).



- Adjust the piece, glue with DOMOSTYL® HYBRID adhesive and fill in. After drying, paint with pure acrylate-based facade paint (see FINISH).



Contact

BENELUX
NMC SA / AG

Gert-Noël-Straße
B - 4731 Eynatten

T +32 87 85 85 00
F +32 87 85 85 11
info@nmc.be

DEUTSCHLAND
NMC Deutschland GmbH

Weiherhausstraße 8 b
D - 64646 Heppenheim

T +49 62 52 972 - 0
info@nmc-deutschland.de

FRANCE
NMC France sas

Z.I. de la Forêt
97, Route d'Anor - CS 10103
F - 59613 Fourmies Cedex

T +33 3 27 60 81 00
F +33 3 27 59 98 55
info@nmc-france.fr

UNITED KINGDOM
NMC UK ltd.

Unit 910, Tafarnaubach Ind Est
UK - NP22 3AA Tredegar, Gwent

T +44 1969 623410
F +44 1969 624398
sales@nmc-copley.co.uk

AUSTRIA
MAPA plus

Riedlerweg 15
A - 8054 Graz

T 0316 - 24 39 49
info@mapa.at
mapa.at

SWITZERLAND
Jules C. Binder SA

Z.I. du Moulin du Choc D
CH-1122 Romanel-sur-Morges

T +41 21 691 48 49
F +41 21 691 48 89
info@jules-c-binder.ch

ITALIA
NMC Italia s.r.l.

Via A. Volta 27/29
I - 20060 Pessano con Bornago
(Milano)

T +39 02 955 454 - 1
info@nmc-italia.it

ESPAÑA & PORTUGAL
NMC Iberica S.L.U.

Pol. Industrial Can Roqueta 2
Carrer Can Lletget 5
ES - 08202 Sabadell (Barcelona)

T +34 93 715 62 00
F +34 93 715 62 01
atcliente@nmciberica.es

BRAZIL
NMC Deco Industria S/A

Rua Antonio Ovidio Rodrigues,
1010
Parque Industrial III - Jundiá
SP-BRAZIL (cep 13.213-180)
CNPJ - 16.575.826/0001-19

T +55 11 2923 - 1400
info@nmcdeco.com.br

CHILE
NMC Chile SpA

Fresia 638 – Providencia
CL- Santiago, CP 7501494

T +562 22827 8800
info@nmc.cl